

# Pioneer Dj

MULTI PLAYER  
MULTI REPRODUCUTOR  
多媒體播放機

# CDJ-2000NXS2

English

Español

中文



## <http://pioneerdj.com/support/>

The Pioneer DJ support site shown above offers FAQs, information on software and various other types of information and services to allow you to use your product in greater comfort.

El sitio de asistencia Pioneer DJ mostrado arriba ofrece las preguntas frecuentes, información del software y varios otros tipos de información y servicios que le permitirán usar su producto con mayor confort.

上方顯示的先鋒DJ網站提供FAQ、軟體資訊及各式其他類型的資訊與服務，可讓您更方便的使用產品。

## <http://rekordbox.com/>

For various types of information and services regarding rekordbox™, see the Pioneer DJ website above.

Para varios tipos de información y servicios acerca del rekordbox™, visite el sitio web de Pioneer DJ indicado arriba.

如需各種有關rekordbox™的資訊及服務，請參閱以上先鋒DJ網站。

Operating Instructions (Quick Start Guide)  
Manual de instrucciones (Guía de inicio rápido)  
操作手冊（快速入門指南）

**FEDERAL COMMUNICATIONS COMMISSION DECLARATION OF CONFORMITY**

This device complies with part 15 of the FCC Rules. Operation is subject to the following two conditions: (1) This device may not cause harmful interference, and (2) this device must accept any interference received, including interference that may cause undesired operation.

Product Name: MULTI PLAYER  
Model Number: CDJ-2000NXS2  
Responsible Party Name: PIONEER ELECTRONICS (USA) INC.  
SERVICE SUPPORT DIVISION  
Address: 1925 E. DOMINGUEZ ST. LONG BEACH, CA 90810-1003, U.S.A.  
Phone: 1-800-421-1404  
URL: <http://www.pioneerelectronics.com>

D8-10-4\*\_C1\_En

**CAUTION**

TO PREVENT THE RISK OF ELECTRIC SHOCK, DO NOT REMOVE COVER (OR BACK). NO USER-SERVICEABLE PARTS INSIDE. REFER SERVICING TO QUALIFIED SERVICE PERSONNEL.

D3-4-2-1-1\_B1\_En

**WARNING**

This equipment is not waterproof. To prevent a fire or shock hazard, do not place any container filled with liquid near this equipment (such as a vase or flower pot) or expose it to dripping, splashing, rain or moisture.

D3-4-2-1-3\_A1\_En

**WARNING**

This product equipped with a three-wire grounding (earthed) plug - a plug that has a third (grounding) pin. This plug only fits a grounding-type power outlet. If you are unable to insert the plug into an outlet, contact a licensed electrician to replace the outlet with a properly grounded one. Do not defeat the safety purpose of the grounding plug.

D3-4-2-1-6\_A1\_En

**VENTILATION CAUTION**

When installing this unit, make sure to leave space around the unit for ventilation to improve heat radiation (at least 5 cm at rear, and 5 cm at each side).

**WARNING**

Slots and openings in the cabinet are provided for ventilation to ensure reliable operation of the product, and to protect it from overheating. To prevent fire hazard, the openings should never be blocked or covered with items (such as newspapers, table-cloths, curtains) or by operating the equipment on thick carpet or a bed.

D3-4-2-1-7b\*\_A1\_En

**Operating Environment**

Operating environment temperature and humidity: +5 °C to +35 °C (+41 °F to +95 °F); less than 85 %RH (cooling vents not blocked)

Do not install this unit in a poorly ventilated area, or in locations exposed to high humidity or direct sunlight (or strong artificial light).

D3-4-2-1-7c\*\_A2\_En

**AC power cord**

The type of cord which can be used depends on the power voltage in each region or country. Please make sure you use the correct cord due to the possibility of fire or other hazard if used incorrectly (see below).

**AC power cord and converter plug use**

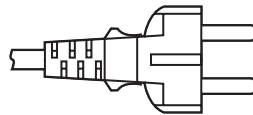
**Region**

**Plug type**

For European type region

**Caution**

Do not use this power cord set in Taiwan.



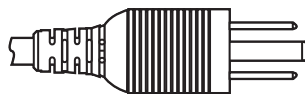
**European two-pin plug**

For Taiwan exclusively

**Caution**

For use in Taiwan only.

In other areas, please do not use.




**Taiwanese three-pin flat-bladed plug**

**WARNING**

To prevent a fire hazard, do not place any naked flame sources (such as a lighted candle) on the equipment.

D3-4-2-1-7a\_A1\_En

**CAUTION**

The  switch on this unit will not completely shut off all power from the AC outlet. Since the power cord serves as the main disconnect device for the unit, you will need to unplug it from the AC outlet to shut down all power. Therefore, make sure the unit has been installed so that the power cord can be easily unplugged from the AC outlet in case of an accident. To avoid fire hazard, the power cord should also be unplugged from the AC outlet when left unused for a long period of time (for example, when on vacation).

D3-4-2-2a\*\_A1\_En

When using this product, confirm the safety information shown on the bottom of the unit.

D3-4-2-2-4\_B1\_En

**Information to User**

Alterations or modifications carried out without appropriate authorization may invalidate the user's right to operate the equipment.

D8-10-2\_A1\_En

**CAUTION**

This product satisfies FCC regulations when shielded cables and connectors are used to connect the unit to other equipment. To prevent electromagnetic interference with electric appliances such as radios and televisions, use shielded cables and connectors for connections.

D8-10-3a\_A1\_En

**WARNING**

Store small parts out of the reach of children and infants. If accidentally swallowed, contact a doctor immediately.

D41-6-4\_A1\_En

This product satisfies electromagnetic noise regulations when it is connected to other equipment through shielded cables and connectors. Use only the furnished accessory connecting cables.

D44-8-2\_A1\_En

**NOTE:**

This equipment has been tested and found to comply with the limits for a Class B digital device, pursuant to Part 15 of the FCC Rules. These limits are designed to provide reasonable protection against harmful interference in a residential installation. This equipment generates, uses, and can radiate radio frequency energy and, if not installed and used in accordance with the instructions, may cause harmful interference to radio communications. However, there is no guarantee that interference will not occur in a particular installation. If this equipment does cause harmful interference to radio or television reception, which can be determined by turning the equipment off and on, the user is encouraged to try to correct the interference by one or more of the following measures:

- Reorient or relocate the receiving antenna.
- Increase the separation between the equipment and receiver.
- Connect the equipment into an outlet on a circuit different from that to which the receiver is connected.
- Consult the dealer or an experienced radio/TV technician for help.

D8-10-1-2\_A1\_En

**CAUTION**

This product is a class 1 laser product classified under the Safety of laser products, IEC 60825-1:2007.



CLASS 1 LASER PRODUCT

D58-5-2-2a\_A1\_En

**POWER-CORD CAUTION**

Handle the power cord by the plug. Do not pull out the plug by tugging the cord and never touch the power cord when your hands are wet as this could cause a short circuit or electric shock. Do not place the unit, a piece of furniture, etc., on the power cord, or pinch the cord. Never make a knot in the cord or tie it with other cords. The power cords should be routed such that they are not likely to be stepped on. A damaged power cord can cause a fire or give you an electrical shock. Check the power cord once in a while. When you find it damaged, ask your nearest service center or your dealer for a replacement.

S002\*\_A1\_En

**Condensation**

Water droplets (condensation) may form inside the unit (on operating parts and lenses) in the winter, for example, if the unit is moved from a cold place into a warm room or if the temperature in the room in which the unit is installed rises suddenly (through heating, etc.). The unit will not operate properly and will not be playable with condensation inside. Let the unit stand for 1 to 2 hours at room temperature (though this time depends on the conditions of the condensation) without turning on the power. The water droplets will evaporate and the unit will become playable. Condensation can occur in the summer as well if the unit is exposed to the direct wind from an air-conditioner, etc. If this happens, move the unit to a different location.

S005b\_A1\_En

# Before you start

## How to read this manual

Thank you for buying this Pioneer DJ product.

Be sure to read both this leaflet and the operating instructions! Both documents include important information that you must understand before using this product.

After you have finished reading the instructions, put them away in a safe place for future reference.

- For instructions on acquiring the operating instructions, see *Acquiring this unit's Operating Instructions* (p. 4).

## Features

This unit is a multi player for professional DJs, offering the variety of functions, durability and operability required for working in discos and nightclubs. Full-fledged DJ performances can be made using tracks not only on USB devices and computers but also on mobile devices (smartphones, etc.). It is not only equipped with a wide range of features for DJ performances, including the PRO DJ LINK, WAVE and BEAT SYNC functions, it also has a high sound quality, high reliability design and panel layout providing high operability, thereby offering strong support for all types of DJ performances.

## Acquiring this unit's Operating Instructions

Various instructions are sometimes provided as files in PDF format. Adobe® Reader® must be installed in order to view PDF format files.

### 1 Launch a web browser on the computer and access the Pioneer DJ support site below.

<http://pioneerdj.com/support/>

### 2 On the Pioneer DJ support site, click [Manuals] under [CDJ-2000NXS2].

### 3 Click on the required language on the download page.

Downloading of the operating instructions begins.

## What's in the box

- Power cord(s) (page 2)
- Audio cable
- LAN cable
- Disc force eject pin (mounted on bottom of product)
- Operating Instructions (Quick Start Guide) (This document)

## Preparing the software

Music management software rekordbox and driver software are not included.

To use rekordbox and the driver software, access the rekordbox site and Pioneer DJ Support site, and download the software.

In these operating instructions, the version of rekordbox for Mac/Windows is referred to as "rekordbox (Mac/Windows)". "rekordbox" is used to indicate the versions of rekordbox (Mac/Windows) and rekordbox (iOS/Android) simultaneously, as well as when referring to rekordbox functions directly.

- The user is responsible for preparing the computer, network devices and other elements of the Internet usage environment required for a connection to the Internet.

## About rekordbox

rekordbox is a composite software that enables track management and DJ performances.

An excellent DJ performance can be achieved by using the music files managed by rekordbox together with this unit.

### ❖ Acquiring rekordbox (Mac/Windows)

#### 1 Open your web browser on your computer, and access the rekordbox site.

<http://rekordbox.com/>

#### 2 Click [Download] in the rekordbox site and download rekordbox from the download page.

- For inquiries on rekordbox (Mac/Windows), see the support site indicated above.

### ❖ About rekordbox (iOS/Android)

Tracks managed by rekordbox can be played by connecting the mobile device on which rekordbox (iOS/Android) is installed via USB. For supported devices, see the Pioneer DJ website (<http://pioneerdj.com/support/>).

- For details on installing rekordbox (iOS/Android), see the Pioneer website (<http://rekordbox.com/>).

## About the driver software

### ❖ Audio driver software (Windows)

- This driver software is an exclusive ASIO driver for outputting audio signals from the computer.
- There is no need to install the driver software when using Mac OS X.

### ❖ USB connection (LINK Export) driver software for rekordbox (Mac/Windows)

- The driver software is a dedicated driver for connecting this unit and rekordbox (Mac/Windows) via USB (LINK Export).
  - ➔ For details on the USB (LINK Export) connection, see this product's operating instructions.

### ❖ Obtaining the driver software

#### 1 Launch a web browser on the computer and access the Pioneer DJ support site below.

<http://pioneerdj.com/support/>

#### 2 Click [Software Download] under [CDJ-2000NXS2] on the Pioneer DJ support site.

#### 3 Click the icon of the driver software to download the driver software from the download page.

- For information on installing the driver software, see the Pioneer DJ support site.

## Usable media

For details, see this product's operating instructions.

### About discs

This unit can play music CDs (CD-DA) and music files recorded on CD-ROMs (CD-Rs and CD-RWs) or DVD-ROMs (DVD-Rs, DVD-RWs, DVD-R DLs, DVD+Rs, DVD+RWs, and DVD+R DLs).

- 8 cm discs cannot be played.

### About SD memory cards

This unit can play music files recorded on SD memory cards conforming to SD standards can be played.

Supported cards <sup>1)</sup>	<ul style="list-style-type: none"> <li>• SD memory cards: 8 MB – 2 GB</li> <li>• SDHC memory cards: 4 GB – 32 GB</li> </ul>
Compatible formats	<ul style="list-style-type: none"> <li>• SD memory cards: FAT12 and FAT16 (conforming to SD standards)</li> <li>• SDHC memory cards: FAT32 (conforming to SD standards)</li> </ul>

<sup>1)</sup> CPRM is not supported.

### About USB devices

This unit can play music files recorded on USB mass storage class USB devices (external hard disks, portable flash memory devices, etc.).

Supported file systems	FAT16, FAT32 and HFS+ (NTFS is not supported.)
------------------------	--

Tracks managed by rekordbox can be played by connecting the mobile device on which rekordbox (iOS/Android) is installed via USB. For supported devices, see the Pioneer DJ website (<http://pioneerdj.com/support/>). For rekordbox (iOS/Android), see the rekordbox online support site (<http://rekordbox.com/>).

- Such information as disc identification data, cue points, loop points and hot cues can be stored on storage devices (SD, USB).
- Depending on the storage device (SD, USB) you are using, performance may not be as expected.
- Operation of all storage devices (SD, USB) is not guaranteed on this unit.

# Connections

- Be sure to turn off the power and unplug the power cord from the power outlet whenever making or changing connections.
- Refer to the operating instructions for the component to be connected.
- Connect the power cord after all the connections between devices have been completed.

- When using a LAN cable for connection, be sure to use either the LAN cable included with this product or an STP (shielded twisted pair) cable.
- Do not disconnect the LAN cable when music files and/or information are being shared using PRO DJ LINK.

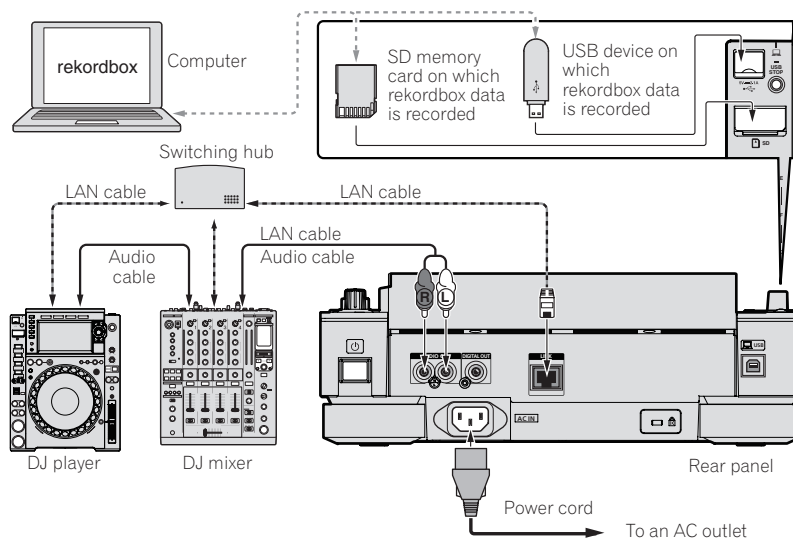
## Basic style

Playback on this unit is performed mainly using tracks prepared with rekordbox installed on a computer.

- For instructions on operating rekordbox, see the rekordbox (Mac/Windows) user's manual. The rekordbox (Mac/Windows) user's manual can be viewed from the [Help] menu of rekordbox.
- Also, for DJ players and DJ mixers, up to four PRO DJ LINK-compatible players can be connected with LAN cables (CAT5e) using PRO DJ LINK connections.
- A switching hub (commercially available) may be necessary, depending on the combination of models used. Use a switching hub of 100 Mbps or greater. Some switching hubs may not operate properly.
- A switching hub (commercially available) is necessary to connect to a mixer equipped with only one LAN port. For mixers with enough LAN ports for all the DJ players and computers in the system, connect directly to the LAN ports on the mixer's rear panel, without using a hub.

## PRO DJ LINK (SD & USB Export)

- rekordbox music files and data can be exchanged with this unit using a memory device (flash memory, hard disk, etc.), eliminating the need to take a computer into the DJ booth. Such information as playlists, cues, loops and hot cues set in advance with rekordbox can be used for playback.



### Cautions

In order to maximize the use of music file management functions of rekordbox, please match the player number with the channel of audio cable entered in the mixer.

If the player number is different, change the [PLAYER No.] setting on the [UTILITY] screen.

➤ For instructions on changing the settings on the [UTILITY] screen, see this product's operating instructions.

- When a storage device is connected to this unit, [PLAYER No.] is displayed in gray and cannot be changed. Disconnect the storage device or LAN cable to turn the link off, then change the setting.

# Operation

## Turning the power on

### 1 Make all the connections, then plug the power cord into a power outlet.

➔ *Connections* (p.6)

### 2 Press the [⏻] switch.

This unit's indicators light and the power turns on.

## Turning the power off

### Press the [⏻] switch.

This unit's power turns off.

- Do not pull out the SD memory card or turn off this unit's power while the SD memory card indicator is flashing. Doing so could delete this unit's management data and damage the SD memory card, making it impossible to read.
- Do not remove the USB device or turn Off the power of the unit while the USB indicator is flashing. The management data in the unit may get deleted. Also, the USB device may become unreadable.

## Inserting discs

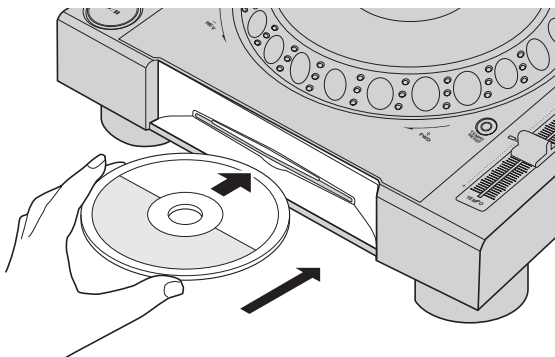
- This unit is a one-disc player. Do not insert multiple disc.
- Do not force discs into the disc insertion slot when this unit's power is off. Doing so could damage the disc and lead to malfunction of this unit.
- When the disc is being drawn in or ejected, do not apply any force to the disc in the direction opposite its movement. Doing so could damage the disc or this unit.

### 1 Press the [⏻] switch to turn this unit's power on.

### 2 Insert the disc horizontally into the disc insertion slot, with the printed surface facing up.

Playback starts after the medium's information has been read.

- When a disc containing music files recorded with a hierarchical structure is loaded, playback starts from the tracks in the uppermost layer.



- When auto cue is turned on, the disc pauses at the audio start position. In this case, press the [PLAY/PAUSE▶/II] to start playback.
  - ➔ For details on the auto cue function, see this product's operating instructions.
- If a disc is inserted when a storage device (SD, USB) that has previously been connected to this unit or another Pioneer DJ's DJ player is connected, the number of discs including the disc information is displayed on the main unit display for a few seconds.
  - ➔ For details the disc information memory, see this product's operating instructions.

## Inserting SD memory cards

- Do not insert any objects other than SD memory cards into the SD memory card insertion slot. Inserting coins or other metal objects could damage the internal circuitry, resulting in malfunction.
- Do not forcibly insert or remove SD memory cards. Doing so could damage the SD memory card or this unit.

### 1 Press the [⏻] switch to turn this unit's power on.

### 2 Open the SD memory card door.

### 3 Insert the SD memory card.

Insert the SD memory card vertically, with the back side facing forward and the notch facing down. Push the card in slowly until it stops.

### 4 Close the SD memory card door.

## Connecting USB devices

### 1 Press the [⏻] switch to turn this unit's power on.

### 2 Connect the USB device to the USB device insertion slot.

## Playing media connected to or inserted in this unit

### 1 Load the medium in this unit.

### 2 Press the corresponding medium button ([DISC], [SD] or [USB]).

The tracks or folders are displayed on a list.

The medium whose contents are displayed on the main unit display can be switched.

[DISC] button: Displays the contents on the inserted disc.

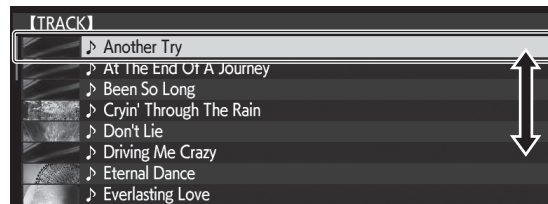
[SD] button: Displays the contents on the inserted SD memory card.

[USB] button: Displays the contents of the connected USB or mobile device.

- If the storage device (SD, USB) contains rekordbox library information, the rekordbox library is displayed.
  - ➔ For instructions on browsing the rekordbox library, see this product's operating instructions.

### 3 Turn the rotary selector.

Move the cursor and select the item.



- Press the rotary selector to move to a lower level in the folder. Press the [BACK] button to return to the level above.
- When the [BACK] button is pressed for over 1 second or the medium button for the medium being browsed is pressed, the display moves to the topmost level.

### 4 Select the track and press the rotary selector.

When the track is loaded, the screen switches to the normal playback screen.

The track is loaded, playback starts, and the corresponding medium button flashes.

- ➔ For details on the normal playback screen, see this product's operating instructions.

For other operations, see this product's operating instructions.

# Additional information

## Troubleshooting

- Incorrect operation is often mistaken for trouble or malfunction. If you think that there is something wrong with this component, check the points below and the [FAQ] for the [CDJ-2000NXS2] on the Pioneer DJ support site. <http://pioneerdj.com/support/>  
Sometimes the problem may lie in another component. Inspect the other components and electrical appliances being used. If the problem cannot be rectified, ask your nearest Pioneer authorized service center or your dealer to carry out repair work.
- This unit may not operate properly due to static electricity or other external influences. In this case, proper operation may be restored by turning the power off, waiting 1 minute, then turning the power back on.

Problem	Check	Remedy
Disc cannot be ejected.	Is [EJECT/LOAD LOCK] set to [LOCK]?	Press the [PLAY/PAUSE/II] button to set the pause mode, then press the [DISC EJECT] button. Set [EJECT/LOAD LOCK] at [UTILITY] to [UNLOCK], then press the [DISC EJECT] button.
	—	If the [DISC EJECT] button does not work, insert the pin into the disc force eject hole to eject the disc.
Playback does not start when disc is loaded.	Is the disc or file playable?	See <i>Usable media</i> on page 5.
	Is the auto cue function activated?	Press [AUTO CUE] for at least 1 second to turn cancel the auto cue function.
File cannot be played.	Is the file copyright-protected (by DRM)?	Copyright-protected files cannot be played.
No sound is produced, or sound is distorted or noisy.	Are you operating the connected DJ mixer properly?	Check the operation of the DJ mixer.
	Is this unit placed near a TV?	Turn the TV's power off or install this unit and TV away from each other.
Loud noise is produced or playback stops when a certain disc is played.	Is the disc scratched?	Scratched discs may not play.
	Is the disc dirty?	Wipe the dirt off the disc.
File information is not properly displayed.	Is [LANGUAGE] properly set?	Set [LANGUAGE] to the proper language.
	Is the information recorded in a language not supported by this unit?	When creating files using DJ software, etc., record the information in a language supported by this unit.
Track search operation takes too long.	Is the auto cue function activated?	Track searching may take some time when there are long silent sections between tracks.
	—	If track searching is not possible within 10 seconds, a cue point is set at the beginning of the track.
Back cue function does not work.	Is a cue point set?	Set a cue point.
Loop play function does not work.	Is a cue point set?	Set a cue point.
Settings are not stored in the memory.	Has the power been turned off directly after changing the setting?	After changing settings, wait at least 10 seconds before turning the power off.
USB device is not recognized.	Is the USB device properly connected?	Connect the device securely (all the way in).
	Is the USB device connected via a USB hub?	USB hubs cannot be used.
	Is the USB device supported by this unit?	This player supports USB mass storage class devices. This player supports mobile devices on which rekordbox (iOS/Android) is installed.
	Is the file format supported by this unit?	Check the file format of the connected USB device. For the file formats supported by this unit, see <i>About USB devices</i> on page 5.
Cue or loop points are not stored on storage devices (SD, USB).	—	Turn the power off then back on.
	Are you trying to store more points than the limit?	The maximum number of cue or loop points that can be stored on storage devices (SD, USB) per disc is 100. For devices other than discs, the maximum limit is 10 points per track. If you try to store more points than the limit, [CUE/LOOP POINT FULL] is displayed and the points cannot be stored. In this case, delete some points before storing new ones.
	Is the storage device (SD, USB) write-protected?	When an SD memory card is write-protected, [CARD PROTECTED] is displayed and the points cannot be stored. When a USB device is write-protected, [USB FULL] is displayed and the points cannot be stored. Disable write-protection then store the points.
Cue points or loop of tracks stored on a storage device (SD, USB) are not displayed.	Is there enough free space on the storage device (SD, USB)?	If there is not enough free space on an SD memory card, [CARD FULL] is displayed and the points cannot be stored. If there is not enough free space on a USB device, [USB FULL] is displayed and the points cannot be stored. Free some space then store the points.
	Was the USB device properly stopped before it was disconnected the last time?	Points may not be displayed if the SD memory card/USB device is removed without performing the proper stopping procedure or if this unit's power is turned off. Check that the SD memory card or USB indicator is completely off before disconnecting storage devices (SD, USB) or turning this unit's power off.



Problem	Check	Remedy
When buttons are pressed to call out the hot cue storing mode or to reloop, or when the lever is moved to set reverse playback, the operation does not start immediately.	Is the quantize function on?	When the quantize function is on, the operation starts from the nearest beat position from where buttons are pressed or the lever is moved. To start the operation immediately when buttons are pressed or the lever is moved, turn the quantize function off.
The playing address display is not displayed in the remaining time mode.	—	When playing files recorded in VBR, it may happen that the set cannot detect the length of the track immediately and that some time is required for the playing address display to appear.
Much time is required for reading storage devices (SD, USB) (flash memory devices or hard disks).	Is there a large number of folders or files stored on the storage device (SD, USB)?	When there are many folders or files, some time may be required for loading.
	Are files other than music files saved on the storage device (SD, USB)?	When files other than music files are stored in folders, time is required to read them as well. Do not store files or folders other than music files on the USB device.
Library browsing is not possible.	Is a medium on which library information is recorded loaded?	The library browse mode is only set when media on which library information is recorded are loaded. When a medium on which no library information is recorded is loaded, the folder browse mode is set.
[HISTORY] is not displayed.	Is the storage device (SD, USB) connected?	The [HISTORY] function can only be used on the DJ player to which the storage device (SD, USB) is connected.
Nothing is displayed.	Is the auto standby function activated?	This unit is shipped with the auto standby function turned on. If you do not want to use the auto standby function, set [AUTO STANDBY] to [OFF].
The scale is not displayed.	Is the track over 15 minutes long?	The scale is not displayed for tracks whose playing time is over 15 minutes.
PRO DJ LINK does not work well.	Are the player numbers properly set?	Set [PLAYER No.] to [AUTO] or to a number different from the number currently set.
	Is the LAN cable properly connected?	Connect the LAN cable properly to the [LINK] terminal.
	Is the switching hub's power turned on?	Turn the switching hub's power on.
	Is an unnecessary device connected to the switching hub?	Disconnect the unnecessary device from the switching hub.
There is no response when you touch the screen, or the response is bad. A position different from the actually touched location responds.	Calibration adjustment of touch display is deviating.	Adjust the touch display by using the [TOUCH DISPLAY CALIBRATION] settings in the [UTILITY] screen.

## Error messages

When this unit cannot operate normally, an error code appears on the display. Check the table below and take the measures indicated. If an error code not shown on the table below is displayed, or if the same error code is displayed again after taking the indicated action, contact your store of purchase.

Error code	Error type	Description of error	Cause and action
E-7201	<b>CANNOT READ DISC</b>	TOC data cannot be read.	<ul style="list-style-type: none"> <li>Disc is cracked. → Replace the disc.</li> <li>Disc is dirty. → Clean the disc.</li> </ul>
E-8301	<b>CANNOT READ DISC</b>	Disc that cannot be played normally is loaded.	<ul style="list-style-type: none"> <li>If operation is normal with other discs, the problem is with that disc.</li> <li>The track data (file) may be corrupt. → Check whether the track (file) can be played on another player, etc., capable of playing the same formats as this unit.</li> </ul>
E-8302	<b>CANNOT PLAY TRACK(****)</b>	Track data (file) on the disc or storage device (SD, USB) cannot be read properly.	<ul style="list-style-type: none"> <li>The track data (file) may be corrupt. → Check whether the track (file) can be played on another player, etc., capable of playing the same formats as this unit.</li> </ul>
E-8304 E-8305	<b>UNSUPPORTED FILE FORMAT</b>	Music files that cannot be played normally are loaded.	Format is wrong. → Replace with music files in the proper format.
E-9101	<b>MECHANICAL TIMEOUT</b>	Mechanical error (time out) during loading or ejecting of disc.	Displayed when mechanism operation is not completed within the specified time.

## Cleaning the touch display

Do not use organic solvents, acids or alkalis for cleaning the surface of the touch display. Wipe with a dry soft cloth or a cloth immersed in neutral detergent and squeezed properly.

---

## About trademarks and registered trademarks

- Pioneer DJ is a trademark of the PIONEER CORPORATION and is used under license. rekordbox and KUVO are trademarks or registered trademarks of the Pioneer DJ Corporation.
- Windows is a registered trademark of Microsoft Corporation in the United States and other countries.
- Adobe and Reader are either registered trademarks or trademarks of Adobe Systems Incorporated in the United States and/or other countries.
- ASIO is a trademark of Steinberg Media Technologies GmbH.
- SD Logo is a trademark of SD-3C, LLC.



- SDHC Logo is a trademark of SD-3C, LLC.



- **DVD** is a trademark of DVD Format/Logo Licensing Corporation.
- "Made for iPod," "Made for iPhone," and "Made for iPad" mean that an electronic accessory has been designed to connect specifically to iPod, iPhone, or iPad, respectively, and has been certified by the developer to meet Apple performance standards. Apple is not responsible for the operation of this device or its compliance with safety and regulatory standards. Please note that the use of this accessory with iPod, iPhone, or iPad may affect wireless performance.



- Apple, iPad, iPhone, iPod, iPod touch, iTunes, Mac, Mac OS, and OS X are trademarks of Apple Inc., registered in the U.S. and other countries.
- iOS is a trademark on which Cisco holds the trademark right in the US and certain other countries.
- Android™ is a trademark of Google Inc.
- Wi-Fi is a registered mark of the Wi-Fi Alliance.
- The names of companies and products mentioned herein are trademarks or registered trademarks of their respective owners.

- 
- This software is based in part on the work of the Independent JPEG Group.

### About using MP3 files

This product has been licensed for nonprofit use. This product has not been licensed for commercial purposes (for profit-making use), such as broadcasting (terrestrial, satellite, cable or other types of broadcasting), streaming on the Internet, Intranet (a corporate network) or other types of networks or distributing of electronic information (online digital music distribution service). You need to acquire the corresponding licenses for such uses. For details, see <http://www.mp3licensing.com>.

---

## Apple Lossless Audio Codec

Copyright © 2011 Apple Inc. All rights reserved.  
Licensed under the Apache License, Version 2.0. You may obtain a copy of the License at <http://www.apache.org/licenses/LICENSE-2.0>

---

## FLAC

FLAC Decoder

Copyright © 2000-2009 Josh Coalson

Copyright © 2011-2014 Xiph.Org Foundation

Redistribution and use in source and binary forms, with or without modification, are permitted provided that the following conditions are met:

- Redistributions of source code must retain the above copyright notice, this list of conditions and the following disclaimer.
- Redistributions in binary form must reproduce the above copyright notice, this list of conditions and the following disclaimer in the documentation and/or other materials provided with the distribution.
- Neither the name of the Xiph.org Foundation nor the names of its contributors may be used to endorse or promote products derived from this software without specific prior written permission.

THIS SOFTWARE IS PROVIDED BY THE COPYRIGHT HOLDERS AND CONTRIBUTORS "AS IS" AND ANY EXPRESS OR IMPLIED WARRANTIES, INCLUDING, BUT NOT LIMITED TO, THE IMPLIED WARRANTIES OF MERCHANTABILITY AND FITNESS FOR A PARTICULAR PURPOSE ARE DISCLAIMED. IN NO EVENT SHALL THE FOUNDATION OR CONTRIBUTORS BE LIABLE FOR ANY DIRECT, INDIRECT, INCIDENTAL, SPECIAL, EXEMPLARY, OR CONSEQUENTIAL DAMAGES (INCLUDING, BUT NOT LIMITED TO, PROCUREMENT OF SUBSTITUTE GOODS OR SERVICES; LOSS OF USE, DATA, OR PROFITS; OR BUSINESS INTERRUPTION) HOWEVER CAUSED AND ON ANY THEORY OF LIABILITY, WHETHER IN CONTRACT, STRICT LIABILITY, OR TORT (INCLUDING NEGLIGENCE OR OTHERWISE) ARISING IN ANY WAY OUT OF THE USE OF THIS SOFTWARE, EVEN IF ADVISED OF THE POSSIBILITY OF SUCH DAMAGE.

---

## Cautions on copyrights

rekordbox restricts playback and duplication of copyright-protected music contents.

- When coded data, etc., for protecting the copyright is embedded in the music contents, it may not be possible to operate the program normally.
- When rekordbox detects that coded data, etc., for protecting the copyright is embedded in the music contents, processing (playback, reading, etc.) may stop.

Recordings you have made are for your personal enjoyment and according to copyright laws may not be used without the consent of the copyright holder.

- Music recorded from CDs, etc., is protected by the copyright laws of individual countries and by international treaties. It is the full responsibility of the person who has recorded the music to ensure that it is used legally.
- When handling music downloaded from the Internet, etc., it is the full responsibility of the person who has downloaded the music to ensure that it is used in accordance with the contract concluded with the download site.

## Specifications

Power requirements .....	AC 110 V to 240 V, 50 Hz/60 Hz
Power consumption.....	41 W
Power consumption (standby) .....	0.4 W
Main unit weight .....	5.7 kg
Max. external dimensions ...	320 mm (W) × 113.2 mm (H) × 414.4 mm (D)
Tolerable operating temperature .....	+5 °C to +35 °C
Tolerable operating humidity .....	5 % to 85 % (no condensation)

### Analog audio output (AUDIO OUT L/R)

Output terminals.....	RCA terminal
Output Level .....	2.0 Vrms (1 kHz)
Frequency response.....	4 Hz to 40 kHz
S/N ratio.....	115 dB
Total harmonic distortion .....	0.0018 %

### Digital audio output (DIGITAL OUT)

Output terminals.....	RCA terminal
Output type.....	Coaxial digital (S/PDIF)
Output level .....	0.5 Vp-p (75 Ω)
Output format.....	44.1 kHz/96 kHz, 24 bit/16 bit

### USB downstream section (USB)

Port .....	Type A
Power supply .....	5 V/2.1 A or less

### USB upstream section (USB)

Port .....	Type B
------------	--------

### LAN (PRO DJ LINK)

Rating .....	100Base-TX
--------------	------------

### SD memory card section

File system.....	Conforming to "SD Specifications Part 2 File System Specification Version 2.00"
Max. memory capacity.....	32 GB

### Main display

Display type .....	Active matrix TFT liquid crystal display (LCD)
Supported languages .....	18 languages

— The specifications and design of this product are subject to change without notice.

- © 2015 Pioneer DJ Corporation. All rights reserved.

## PRECAUCIÓN

PARA PREVENIR EL PELIGRO DE CHOQUE ELÉCTRICO NO REMOVER LA TAPA NI LAS PARTES DENTRO NO UTILIZADAS, LLAMAR UNA PERSONA CUALIFICADA.

D3-4-2-1-1\_B2\_Es

## ADVERTENCIA

Este aparato no es impermeable. Para evitar el riesgo de incendio y de descargas eléctricas, no ponga ningún recipiente lleno de líquido (como pueda ser un vaso o un florero) cerca del aparato ni lo exponga a goteo, salpicaduras, lluvia o humedad.

D3-4-2-1-3\_A1\_Es

## ADVERTENCIA

Este producto está provisto de una clavija de tres conductores con toma de tierra (puesta a tierra) cuya tercera patilla es la de toma de tierra. Esta clavija sólo se adapta en una toma de corriente del tipo de toma de tierra. Si no puede insertar la clavija en la toma de corriente, llame a un electricista profesional para que le reemplace la toma de corriente por otra con toma de tierra que sea adecuada. No elimine el dispositivo de seguridad de la clavija con toma de tierra.

D3-4-2-1-6\_A1\_Es

## ADVERTENCIA

Para evitar el peligro de incendio, no ponga nada con fuego encendido (como pueda ser una vela) encima del aparato.

D3-4-2-1-7a\_A1\_Es

## PRECAUCIÓN PARA LA VENTILACIÓN

Cuando instale este aparato, asegúrese de dejar espacio en torno al mismo para la ventilación con el fin de mejorar la disipación de calor (por lo menos 5 cm detrás, y 5 cm en cada lado).

## ADVERTENCIA

Las ranuras y aberturas de la caja del aparato sirven para su ventilación para poder asegurar un funcionamiento fiable del aparato y para protegerlo contra sobrecalentamiento. Para evitar el peligro de incendio, las aberturas nunca deberán taparse ni cubrirse con nada (como por ejemplo, periódicos, manteles, cortinas) ni ponerse en funcionamiento el aparato sobre una alfombra gruesas o una cama.

D3-4-2-1-7b\*\_A1\_Es


## Entorno de funcionamiento

Temperatura y humedad del entorno de funcionamiento +5 °C a +35 °C; menos del 85 % de humedad relativa (rejillas de refrigeración no obstruidas)

No instale este aparato en un lugar mal ventilado, ni en lugares expuestos a alta humedad o a la luz directa del sol (o de otra luz artificial potente).

D3-4-2-1-7c\*\_A1\_Es

## PRECAUCIÓN

El interruptor de la alimentación  de este aparato no corta por completo toda la alimentación de la toma de corriente de CA. Puesto que el cable de alimentación hace las funciones de dispositivo de desconexión de la corriente para el aparato, para desconectar toda la alimentación del aparato deberá desenchufar el cable de la toma de corriente de CA. Por lo tanto, asegúrese de instalar el aparato de modo que el cable de alimentación pueda desenchufarse con facilidad de la toma de corriente de CA en caso de un accidente. Para evitar correr el peligro de incendio, el cable de alimentación también deberá desenchufarse de la toma de corriente de CA cuando no se tenga la intención de utilizarlo durante mucho tiempo seguido (por ejemplo, antes de irse de vacaciones).

D3-4-2-2a\*\_A1\_Es

Cuando utilice este producto, confirme la información de seguridad mostrada en la parte inferior de la unidad.

D3-4-2-2-4\_B1\_Es

## ADVERTENCIA

Guarde las piezas pequeñas fuera del alcance de los niños. Si las ingirieran accidentalmente, póngase de inmediato en contacto con un médico.

D41-6-4\_A1\_Es

Este producto cumple las normas relacionadas con el ruido electromagnético cuando se conecta a otro equipo por medio de cables y conectores blindados. Use sólo los cables de conexión accesorios suministrados.

D44-8-2\_A1\_Es

## PRECAUCIÓN

Este aparato es un producto de láser de clase 1 clasificado como tal en Seguridad de productos de láser, IEC 60825-1:2007.

PRODUCTO LASER CLASE 1

D58-5-2-2a\_A1\_Es

## PRECAUCIONES CONCERNIENTES A LA MANIPULACIÓN DEL CABLE DE ALIMENTACIÓN

Tome el cable de alimentación por la clavija. No extraiga la clavija tirando del cable. Nunca toque el cable de alimentación cuando sus manos estén mojadas, ya que esto podría causar cortocircuitos o descargas eléctricas. No coloque la unidad, algún mueble, etc., sobre el cable de alimentación.

Asegúrese de no hacer nudos en el cable ni de unirlo a otros cables. Los cables de alimentación deberán ser dispuestos de tal forma que la probabilidad de que sean pisados sea mínima. Una cable de alimentación dañado podrá causar incendios o descargas eléctricas. Revise el cable de alimentación está dañado, solicite el reemplazo del mismo al centro de servicio autorizado PIONEER más cercano, o a su distribuidor.

S002\*\_A1\_Es

## Condensación

En invierno pueden formarse gotas de agua (condensación) dentro de la unidad (en las partes de funcionamiento o en la lente), por ejemplo, si ésta se pasa de un lugar frío a otro caliente o si la temperatura de la habitación donde esta instalada la unidad aumenta repentinamente (empleando una calefacción, etc.). La unidad no funcionará correctamente o no funcionará en absoluto con condensación en su interior. Deje la unidad a la temperatura ambiental de la habitación durante 1 ó 2 horas (aunque este tiempo depende de las condiciones de la condensación) sin conectar su alimentación. Las gotas de agua se evaporarán y la unidad podrá reproducir. La condensación también se puede producir en verano si la unidad se expone a la salida directa de aire procedente de un acondicionador de aire, etc. Si pasa esto, ponga la unidad en una posición diferente.

S005b\_A1\_Es

### Cable de alimentación de CA

El tipo de cable que se pueden utilizar, dependen de la tensión de la alimentación de cada país o región. Asegúrese por favor de utilizar el cable, pues existe la posibilidad de que ocurran incendios si se utilizan dichos elementos incorrectamente (ver el cuadro que sigue a continuación).

#### Uso del cable de alimentación de CA y del adaptador de clavija

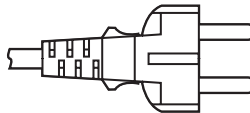
##### Región

##### Tipo de clavija

Para región de tipo Europeo

##### Precaución

No utilice este juego de cable de alimentación en Taiwán.

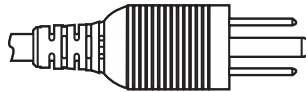


**Clavija Europea de dos contactos planos**

Para uso exclusivo en Taiwán

##### Precaución

Sólo para uso en Taiwán.  
No lo utilice por favor en otras áreas.



**Clavija de tres contactos planos taiwanesa**

# Antes de comenzar

## Cómo leer este manual

Gracias por adquirir este producto Pioneer DJ.

¡Asegúrese de leer este folleto y el manual de instrucciones! Ambos documentos incluyen información importante que usted deberá entender antes de usar este producto.

Después de haber terminado de leer estas instrucciones, guárdelas en un lugar seguro para, en caso de ser necesario, consultarlas en el futuro.

- Para las instrucciones sobre cómo adquirir el manual de instrucciones, vea *Adquisición del Manual de instrucciones de esta unidad* (pág. 4).

## Características

Esta unidad es un multi reproductor para DJ profesionales que ofrece la variedad de funciones, durabilidad y operabilidad requeridas para trabajar en discotecas y clubs nocturnos. Se pueden realizar actuaciones de DJ completas utilizando pistas no solo de dispositivos USB y de ordenadores sino también de dispositivos móviles (teléfonos inteligentes, etc.). No solo está equipado con una amplia gama de funciones para las actuaciones de DJ, incluido PRO DJ LINK, WAVE y BEAT SYNC, sino que también tiene una alta calidad de sonido, un diseño de alta fiabilidad y una disposición del panel que permite una alta operabilidad, ofreciendo por lo tanto una asistencia imprescindible para todo tipo de actuaciones de DJ.

## Adquisición del Manual de instrucciones de esta unidad

Las diversas instrucciones se proveen algunas veces como archivos en formato PDF. Para ver archivos en formato PDF, deberá instalarse Adobe® Reader®.

### 1 Inicie un navegador de Web en el ordenador y acceda al sitio de asistencia Pioneer DJ de abajo.

<http://pioneerdj.com/support/>

### 2 En el sitio de asistencia Pioneer DJ, haga clic en [Manuals] bajo [CDJ-2000NXS2].

### 3 Haga clic en el idioma necesario de la página de descarga.

La descarga del manual de instrucciones empieza.

## Contenido de la caja

- Cable(s) de alimentación (página 2)
- Cable de audio
- Cable LAN
- Pasador de expulsión a la fuerza del disco (colocado en la parte inferior del producto)
- Manual de instrucciones (Guía de inicio rápido) (este documento)

## Preparación del software

El software de administración de música rekordbox y el software controlador no están incluidos.

Para utilizar rekordbox y el software del controlador, acceda al sitio de rekordbox y al sitio de asistencia Pioneer DJ y descargue el software. En este manual de instrucciones, a la versión del rekordbox para Mac/Windows se le llama "rekordbox (Mac/Windows)". "rekordbox" se usa para indicar simultáneamente las versiones del rekordbox (Mac/Windows) y del rekordbox (iOS/Android), y para consultar directamente las funciones del rekordbox.

- El usuario es responsable de preparar el ordenador, los aparatos de la red y otros elementos que se usan en el ambiente de Internet y que son necesarios para conectar a Internet.

## Acerca de rekordbox

rekordbox es un software compuesto que permite la gestión de pistas y actuaciones de DJ.

Se pueden lograr excelentes actuaciones de DJ utilizando los archivos de música gestionados por rekordbox junto con esta unidad.

### ❖ Adquisición de rekordbox (Mac/Windows)

#### 1 Abra su navegador Web y entre en el sitio rekordbox. <http://rekordbox.com/>

#### 2 Haga clic en [Descarga] desde el sitio de rekordbox y descargue rekordbox de la página de descargas.

- Para obtener información acerca del rekordbox (Mac/Windows), consulte el sitio de asistencia indicado más arriba.

### ❖ Acerca de rekordbox (iOS/Android)

Las pistas administradas por rekordbox se pueden reproducir conectando el dispositivo móvil en el que esté instalado rekordbox (iOS/Android) mediante USB. Para conocer los dispositivos compatibles, consulte el sitio web de Pioneer DJ (<http://pioneerdj.com/support/>).

- Para conocer detalles de la instalación del rekordbox (iOS/Android), consulte el sitio Web de Pioneer (<http://rekordbox.com/>).

## Acerca del software controlador

### ❖ Software controlador de audio (Windows)

- Este software controlador es un controlador ASIO exclusivo que se usa para enviar señales de audio desde el ordenador.
- Cuando se usa Mac OS X no es necesario instalar el software controlador.

### ❖ Software controlador de conexión USB (LINK Export) para rekordbox (Mac/Windows)

- El software controlador es un controlador dedicado para conectar esta unidad y rekordbox (Mac/Windows) mediante USB (LINK Export).
  - ➔ Para conocer detalles de la conexión USB (LINK Export), consulte el manual de instrucciones de este producto.

### ❖ Obtención del software controlador

#### 1 Inicie un navegador de Web en el ordenador y acceda al sitio de asistencia Pioneer DJ de abajo.

<http://pioneerdj.com/support/>

#### 2 Haga clic en [Software Download] bajo [CDJ-2000NXS2] en el sitio de asistencia Pioneer DJ.

#### 3 Haga clic en el icono del software controlador para descargar el software controlador desde la página de descarga.

- Para obtener más información sobre cómo instalar el software controlador, visite el sitio de asistencia Pioneer DJ.

## Medio utilizable

Para conocer detalles, vea el manual de instrucciones de este producto.

## Acerca de los discos

Esta unidad puede reproducir CD de música (CD-DA) y archivos de música grabados en CD-ROM (CD-R y CD-RW) o DVD-ROM (DVD-R, DVD-RW, DVD-R DL, DVD+R, DVD+RW y DVD+R DL).

- Los discos de 8 cm no se pueden reproducir.

## Acerca de las tarjetas de memoria SD

Esta unidad puede reproducir archivos de música grabados en tarjetas de memoria SD que cumplen con el estándar SD se pueden reproducir.

Tarjetas compatibles <sup>1)</sup>	<ul style="list-style-type: none"><li>• Tarjetas de memoria SD: 8 MB – 2 GB</li><li>• Tarjetas de memoria SDHC: 4 GB – 32 GB</li></ul>
Formatos compatibles	<ul style="list-style-type: none"><li>• Tarjetas de memoria SD: FAT12 y FAT16 (cumpliendo con el estándar SD)</li><li>• Tarjetas de memoria SDHC: FAT32 (cumpliendo con el estándar SD)</li></ul>

<sup>1)</sup> CPRM no es compatible.

## Acerca de los aparatos USB

Esta unidad puede reproducir archivos de música grabados en aparatos USB de almacenamiento en masa USB (discos duros externos, aparatos de memoria flash portátiles, aparatos de audio digitales, etc.).

Sistemas de archivo compatibles	FAT16, FAT32 y HFS+ (NTFS no es compatible.)
---------------------------------	--

Las pistas administradas por rekordbox se pueden reproducir conectando el dispositivo móvil en el que esté instalado rekordbox (iOS/Android) mediante USB. Para conocer los dispositivos compatibles, consulte el sitio web de Pioneer DJ (<http://pioneerdj.com/support/>). Para rekordbox (iOS/Android), consulte el sitio de asistencia en línea rekordbox (<http://rekordbox.com/>).

- La información tal como los datos de identificación de discos, los puntos cue, los puntos de bucle y los hot cues se puede guardar en aparatos de almacenamiento (SD, USB).
- Dependiendo del aparato de almacenamiento (SD, USB) que esté usando, el rendimiento puede no ser el esperado.
- El funcionamiento de todos los aparatos de almacenamiento (SD, USB) no está garantizado en esta unidad.

# Conexiones

- Asegúrese de desconectar la alimentación y desenchufar el cable de alimentación de la toma de corriente siempre que haga o cambie conexiones.
  - Consulte el manual de instrucciones del componente que va a ser conectado.
  - Conecte el cable de alimentación después de terminar las conexiones entre los aparatos.
- Cuando se usa un cable LAN para la conexión, asegúrese de usar el cable LAN incluido con este producto o un cable STP (par retorcido blindado).
  - No desconecte el cable LAN cuando se están compartiendo archivos de música y/o información usando PRO DJ LINK.

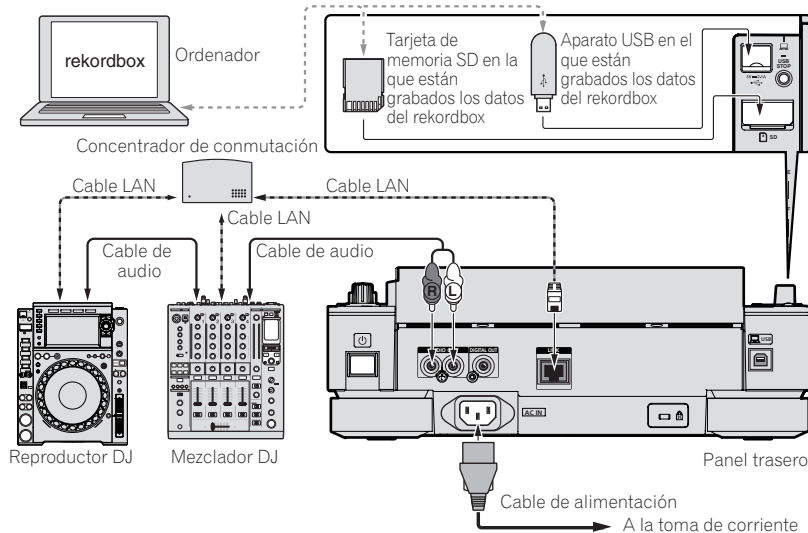
## Estilo básico

La reproducción en esta unidad se realiza principalmente usando las pistas preparadas con el rekordbox instalado en un ordenador.

- Para obtener instrucciones sobre el uso de rekordbox, consulte el manual del usuario de rekordbox (Mac/Windows). El manual del usuario de rekordbox (Mac/Windows) se puede ver desde el menú [Ayuda] de rekordbox.
- Además, para los reproductores y mezcladores DJ, usando las conexiones PRO DJ LINK, con cables LAN (CAT5e) se pueden conectar hasta cuatro reproductores compatibles con PRO DJ LINK.
- Dependiendo de la combinación de modelos usados, puede que sea necesario usar un concentrador de conmutación (de venta en tiendas). Use un concentrador de conmutación de 100 Mbps o más. Algunos concentradores de conmutación pueden no funcionar bien.
- Para conectar a un mezclador equipado con un solo puerto LAN se necesita un concentrador de conmutación (de venta en tiendas). Para mezcladores con suficientes puertos LAN para todos los reproductores DJ y ordenadores del sistema, conecte directamente a los puertos LAN del panel trasero del mezclador, sin usar un concentrador.

## PRO DJ LINK (SD & USB Export)

- Los archivos de música y los datos del rekordbox se pueden intercambiar con esta unidad usando un aparato de memoria (memoria flash, disco duro, etc.), eliminando la necesidad de llevar el ordenador a la cabina del DJ. La información tal como listas de reproducción, cues, bucles y hot cues establecida con antelación con rekordbox se puede usar para la reproducción.



### Avisos

Para sacar el máximo partido de las funciones de administración de archivos de música de rekordbox, sincronice el número de reproductor con el canal del cable de audio conectado en el mezclador.

Si el número del reproductor es diferente, cambie el ajuste [PLAYER No.] en la pantalla [UTILITY].

➡ Para conocer instrucciones de cómo cambiar los ajustes en la pantalla [UTILITY], vea el manual de instrucciones de este producto.

- Cuando se conecte un aparato de almacenamiento a esta unidad, [PLAYER No.] se visualizará en gris y no se podrá cambiar. Desconecte el aparato de almacenamiento o el cable LAN para apagar el enlace, y luego cambie el ajuste.



# Operación

## Conexión de la alimentación

### 1 Haga todas las conexiones y luego conecte el cable de alimentación en una toma de corriente.

➔ Conexiones (pág.6)

### 2 Pulse el conmutador [⏻].

Los indicadores de esta unidad se encienden y se conecta la alimentación.

## Desconexión de la alimentación

### Pulse el conmutador [⏻].

La alimentación de esta unidad se desconecta.

- No expulse la tarjeta de memoria SD ni desconecte la alimentación de esta unidad mientras parpadea el indicador de tarjeta de memoria SD. Si lo hace podría eliminar los datos de administración de esta unidad y dañar la tarjeta de memoria SD, imposibilitando la lectura.
- No quite el aparato USB ni desconecte la alimentación de la unidad mientras el indicador USB parpadea. Si no sigue esta recomendación, los datos de administración de la unidad pueden eliminarse. Asimismo, el dispositivo USB puede quedar inutilizable.

## Inserción de discos

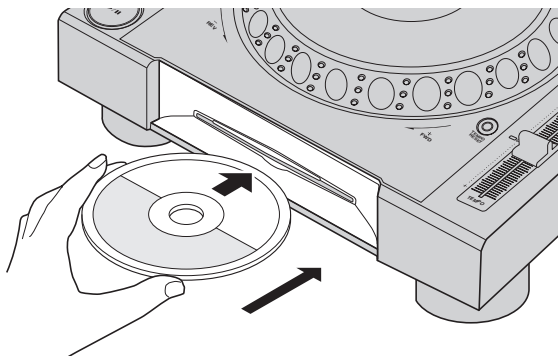
- Esta unidad en un reproductor de un disco. No inserte múltiples discos.
- No meta los discos a la fuerza en la ranura de inserción de discos cuando esta unidad está apagada. Hacerlo podría dañar el disco y causar fallos en el funcionamiento de esta unidad.
- Cuando se introduce o expulsa un disco, no aplique ninguna fuerza al disco en el sentido opuesto a su movimiento. Hacerlo podría dañar el disco o esta unidad.

### 1 Pulse el conmutador [⏻] para conectar la alimentación de esta unidad.

### 2 Inserte el disco horizontalmente en la ranura de inserción de discos, con la superficie impresa hacia arriba.

La reproducción empieza después de leerse la información del medio.

- Cuando se carga un disco que contiene archivos de música grabados con una estructura jerárquica, la reproducción empieza desde la pistas de la capa más alta.



- Cuando se activa el cue automático, el disco hace una pausa en la posición de inicio de audio. En este caso, pulse [PLAY/PAUSE▶/II] para iniciar la reproducción.  
➔ Para conocer detalles de la función de cue automático, consulte el manual de instrucciones de este producto.

- Si se inserta un disco cuando está conectado un dispositivo de almacenamiento (SD, USB) que previamente se ha conectado a esta unidad u otro reproductor de DJ de Pioneer DJ, se visualiza el número de discos incluyendo la información de disco en la pantalla de la unidad principal durante unos segundos.  
➔ Para conocer detalles de la memoria de información de discos, vea el manual de instrucciones de este producto.

Español

## Inserción de tarjetas de memoria SD

- No inserte ningún objeto que no sea una tarjeta de memoria SD en la ranura de inserción de tarjeta de memoria SD. Insertar monedas u otros objetos metálicos podría dañar la circuitería interna y causar un fallo en el funcionamiento.
- No inserte ni quite a la fuerza las tarjetas de memoria SD. Hacerlo podría dañar la tarjeta de memoria SD o esta unidad.

### 1 Pulse el conmutador [⏻] para conectar la alimentación de esta unidad.

### 2 Abra la puerta de la tarjeta de memoria SD.

### 3 Inserte la tarjeta de memoria SD.

Inserte la tarjeta de memoria SD verticalmente, con el lado posterior hacia delante y la ranura hacia abajo. Empuje la tarjeta lentamente hacia adentro hasta que se pare.

### 4 Cierre la puerta de la tarjeta de memoria SD.

## Conexión de aparatos USB

### 1 Pulse el conmutador [⏻] para conectar la alimentación de esta unidad.

### 2 Conecte el aparato USB en la ranura de inserción del mismo.

## Medios de reproducción conectados o insertados en esta unidad

### 1 Cargue el medio en esta unidad.

### 2 Pulse el botón del medio correspondiente ([DISC], [SD] o [USB]).

Las pistas o carpetas se visualizan en una lista.

El medio cuyo contenido se visualiza en la pantalla de la unidad principal se puede cambiar.

Botón **[DISC]**: Visualiza el contenido del disco insertado.

Botón **[SD]**: Visualiza el contenido de la tarjeta de memoria SD insertada.

Botón **[USB]**: Visualiza el contenido del aparato USB o portátil conectado.

- Si el aparato de almacenamiento (SD, USB) contiene rekordbox información de librería, la librería del rekordbox se visualizará.
  - ➔ Para conocer instrucciones de cómo navegar por la librería [rekordbox], vea el manual de instrucciones de este producto.

### 3 Gire el selector giratorio.

Mueva el cursor y seleccione el elemento.



- Pulse el selector giratorio para ir a un nivel inferior en la carpeta. Pulse el botón **[BACK]** para volver al nivel de arriba.
- Cuando el botón **[BACK]** se pulsa más de 1 segundo o cuando se pulsa el botón del medio que está siendo examinado, la visualización se mueve al nivel superior.

### 4 Seleccione la pista y pulse el selector giratorio.

Cuando se carga la pista, la pantalla cambia a la de reproducción normal.

La pista se carga, la reproducción empieza, y el botón del medio correspondiente parpadea.

- ➔ Para conocer detalles de la pantalla de reproducción normal, consulte el manual de instrucciones de este producto.

Para conocer otras operaciones, vea el manual de instrucciones de este producto.

# Información adicional

## Solución de problemas

- La operación incorrecta se confunde a menudo con un problema o un fallo de funcionamiento. Si piensa que algo no funciona bien con este componente, verifique los puntos de abajo y las **[FAQ]** para el **[CDJ-2000NXS2]** en el sitio de asistencia Pioneer DJ.  
<http://pioneerdj.com/support/>  
Algunas veces, el problema puede estar en otro componente. Inspeccione los otros componentes y los aparatos eléctricos que esté utilizando. Si no se puede rectificar el problema, pida al servicio de Pioneer autorizado más cercano o a su concesionario que realice el trabajo de reparación.
- Esta unidad puede no funcionar bien debido a la electricidad estática o a otras influencias externas. En este caso, el funcionamiento apropiado se puede restaurar desconectando la alimentación, esperando 1 minuto y volviendo a conectar la alimentación.

Español

Problema	Verificación	Remedio
No se puede expulsar el disco.	¿Está <b>[EJECT/LOAD LOCK]</b> en <b>[LOCK]</b> ?	Pulse el botón <b>[PLAY/PAUSE▶/II]</b> para poner el modo de pausa, y luego pulse el botón <b>[DISC EJECT▲]</b> .  Ponga <b>[EJECT/LOAD LOCK]</b> en <b>[UTILITY]</b> en <b>[UNLOCK]</b> , y luego pulse el botón <b>[DISC EJECT▲]</b> .
—	—	Si no funciona el botón <b>[DISC EJECT▲]</b> , inserte el pasador en el agujero de expulsión a la fuerza del disco para expulsar el disco.
La reproducción no empieza cuando se carga el disco.	¿Se puede reproducir el disco o archivo? ¿Está activada la función cue automático?	Vea <i>Medio utilizable</i> en la página 5.  Pulse <b>[AUTO CUE]</b> durante un mínimo de 1 segundo para cancelar la función cue automático.
No se puede reproducir un archivo.	¿Está protegido el archivo por derechos de autor (por DRM)?	Los archivos protegidos por derechos de autor no se pueden reproducir.
No se produce sonido, o éste está distorsionado o tiene ruido.	¿Está utilizando bien el mezclador DJ conectado? ¿Está esta unidad cerca de un TV?	Verifique el funcionamiento del mezclador DJ.  Apague el TV o instale esta unidad y el TV alejados el uno del otro.
Se produce un ruido alto o se detiene la reproducción con cierto disco.	¿Está rayado el disco? ¿Está sucio el disco?	Los discos rayados no se pueden reproducir.  Quite la suciedad del disco.
La información de archivo no se visualiza bien.	¿Está bien ajustado <b>[LANGUAGE]</b> ? ¿No es compatible con esta unidad la información grabada en un idioma?	Ponga <b>[LANGUAGE]</b> en el idioma apropiado.  Cuando se crean archivos usando el software DJ, etc., grabe la información en un idioma compatible con esta unidad.
La búsqueda de pistas tarda demasiado tiempo.	¿Está activada la función cue automático?	La búsqueda de pistas puede tardar algo cuando éstas tienen secciones de silencio largas entre ellas.  Si no se puede hacer la búsqueda dentro de 10 segundos se establece un punto cue al comienzo de la pista.
La función de retroceso de cue no funciona.	¿Está establecido el punto cue?	Establezca un punto cue.
La función de reproducción de bucle no funciona.	¿Está establecido el punto cue?	Establezca un punto cue.
La configuración no se guarda en la memoria.	¿Se ha desconectado la alimentación directamente después de cambiar la configuración?	Después de cambiar la configuración, espere un mínimo de 10 segundos antes de desconectar la alimentación.
No se reconoce el aparato USB.	¿Está bien conectado el aparato USB? ¿Está el aparato USB conectado a través de un concentrador USB? ¿Es el aparato USB compatible con esta unidad? ¿Es el formato de archivo compatible con esta unidad?	Conecte el aparato firmemente (hasta el fondo).  No se pueden usar concentradores USB.  Este reproductor es compatible con aparatos de la clase de almacenamiento en masa USB.  Este reproductor es compatible con dispositivos móviles en los que está instalado rekordbox (iOS/Android).  Verifique el formato de archivo del aparato USB conectado. Para los formatos de archivo compatibles con esta unidad, vea <i>Acerca de los aparatos USB</i> en la página 5.
—	—	Desconecte la alimentación y vuelva a conectarla.
Los puntos cue o de bucle no se guardan en aparatos de almacenamiento (SD, USB).	¿Está intentando guardar más puntos que el límite?  ¿Está protegido contra escritura el aparato de almacenamiento (SD, USB)?  ¿Hay suficiente espacio libre en el aparato de almacenamiento (SD, USB)?	El máximo número de puntos cue o de bucle que se puede guardar en aparatos de almacenamiento (SD, USB) por disco es 100. Para otros aparatos que no sean discos, el límite es de 10 puntos por pista. Si intenta guardar más puntos que el límite, se visualiza <b>[CUE/LOOPPOINT FULL]</b> y los puntos no se pueden grabar. En este caso, elimine algunos puntos antes de guardar nuevos.  Cuando una tarjeta de memoria SD está protegida contra la escritura se visualiza <b>[CARD PROTECTED]</b> y los puntos no se pueden guardar. Cuando un aparato USB está protegida contra la escritura se visualiza <b>[USB FULL]</b> y los puntos no se pueden guardar. Desactive la protección contra escritura y luego guarde los puntos.  Si no hay suficiente espacio libre en una tarjeta de memoria SD se visualiza <b>[CARD FULL]</b> y los puntos no se pueden guardar. Si no hay suficiente espacio libre en un aparato USB se visualiza <b>[USB FULL]</b> y los puntos no se pueden guardar. Deje algo de espacio libre y luego guarde los puntos.

Problema	Verificación	Remedio
Los puntos cue o los bucles de las pistas guardadas en un aparato de almacenamiento (SD, USB) no se visualizan.	¿Fue parado correctamente el aparato USB cuando se desconectó la última vez?	Los puntos pueden no visualizarse si la tarjeta de memoria SD/aparato USB se retira sin realizar el procedimiento de parada apropiado o si la alimentación de esta unidad está desconectada. Verifique que la tarjeta de memoria SD o el indicador USB esté completamente apagado antes de desconectar los aparatos de almacenamiento (SD, USB) o de desconectar la alimentación de esta unidad.
Cuando se pulsan los botones para llamar al modo de almacenamiento de hot cues o para hacer rebucles, o cuando se mueve la palanca para establecer la reproducción en inversión, la operación no empieza inmediatamente.	¿Está activada la función de cuantización?	Cuando la función de cuantización está activada, la operación empieza desde la posición de punto de compás más próxima desde donde se pulsaron los botones o se movió la palanca. Para iniciar la operación inmediatamente cuando se pulsan los botones o se mueve la palanca, desactive la función de cuantización.
La visualización de la dirección de reproducción no se visualiza en el modo de tiempo restante.	—	Cuando se reproducen archivos grabados en VBR, puede que el aparato no detecte inmediatamente la duración de la pista y que se necesite algo de tiempo para que aparezca la visualización de la dirección de reproducción.
Se necesita mucho tiempo para leer los aparatos de almacenamiento (SD, USB) (aparatos de memoria flash o discos duros).	¿Hay un número grande de carpetas o archivos guardados en el aparato de almacenamiento (SD, USB)?	Cuando haya muchas carpetas o archivos se necesitará algo de tiempo para hacer la carga.
	¿Hay otros archivos que no son de música guardados en el aparato de almacenamiento (SD, USB)?	Cuando se graban en carpetas archivos que no son de música también se necesita tiempo para leerlos. No guarde archivos o carpetas que no sean de música en el aparato USB.
El examen de librería no es posible.	¿Está cargado un medio en el que se ha grabado información de librería?	El modo de examen de librería sólo se establece cuando se cargan medios en los que se ha grabado información de librería. Cuando se carga un medio en el que no se ha grabado información de librería se establece el modo de examen de carpeta.
[HISTORY] no se visualiza.	¿Está conectado el aparato de almacenamiento (SD, USB)?	La función [HISTORY] sólo se puede usar en el reproductor DJ en el que está conectado el aparato de almacenamiento (SD, USB).
No se visualiza nada.	¿Está activada la función de espera automática?	Esta unidad sale de fábrica con la función de espera automática activada. Si no quiere usar la función de espera automática, ponga [AUTO STANDBY] en [OFF].
La escala no se visualiza.	¿Dura la pista más de 15 minutos?	La escala no se visualiza para pistas cuyo tiempo de reproducción es superior a 15 minutos.
PRO DJ LINK no funciona bien.	¿Están bien puestos los números del reproductor?	Ponga [PLAYER No.] en [AUTO] o en otro número diferente del que está actualmente puesto.
	¿Está bien conectado el cable LAN?	Conecte bien el cable LAN al terminal [LINK].
	¿Está conectada la alimentación del concentrador de conmutación?	Conecte la alimentación del concentrador de conmutación.
	¿Está un aparato innecesario conectado al concentrador de conmutación?	Desconecte el aparato innecesario del concentrador de conmutación.
Cuando toca la pantalla no obtiene ninguna respuesta o la respuesta no es la correcta. La respuesta obtenida procede de un lugar diferente a la ubicación seleccionada.	Se han alterado los ajustes de calibración de la pantalla táctil.	Ajuste la pantalla táctil a través de los ajustes [TOUCH DISPLAY CALIBRATION] de la pantalla [UTILITY].

## Mensaje de error

Cuando esta unidad no funciona normalmente, aparece un código de error en la pantalla. Consulte la tabla de abajo y tome las medidas indicadas. Si se visualiza un código de error que no se muestra en la tabla de abajo, o si el mismo código de error se visualiza de nuevo después de tomar la medida indicada, póngase en contacto con la tienda donde compró el aparato.

Código de error	Tipo de error	Descripción del error	Causa y medidas a tomar
E-7201	<b>CANNOT READ DISC</b>	No se pueden leer los datos del TOC.	<ul style="list-style-type: none"> <li>El disco está agrietado. → Reemplace el disco.</li> </ul>
E-8301	<b>CANNOT READ DISC</b>	Se carga un disco que no se puede reproducir normalmente.	<ul style="list-style-type: none"> <li>El disco está sucio. → Limpie el disco.</li> <li>Si la operación en normal con otros discos, el problema está en el disco.</li> </ul>
E-8302	<b>CANNOT PLAY TRACK(****)</b>	Los datos de las pistas (archivos) del disco o del aparato de almacenamiento (SD, USB) no se pueden leer bien.	<ul style="list-style-type: none"> <li>Los datos de las pistas (archivos) pueden estar corrompidos. → Verifique si las pistas (archivos) se pueden reproducir en otro reproductor, etc. capaz de reproducir los mismos formatos que esta unidad.</li> </ul>
E-8304 E-8305	<b>UNSUPPORTED FILE FORMAT</b>	Se cargan archivos de música que no se puede reproducir normalmente.	El formato está equivocado. → Emplee archivos de música que estén en el formato correcto.
E-9101	<b>MECHANICAL TIMEOUT</b>	Error mecánico (final de intervalo) durante la carga o expulsión de un disco.	Visualizado cuando la operación del mecanismo no termina dentro del tiempo especificado.

## Limpieza de la pantalla táctil

No utilice disolventes, ácidos o álcalis orgánicos para limpiar la superficie de la pantalla táctil. Pase un paño húmedo o empapado con detergente neutro y perfectamente escurrido.

## Acerca de las marcas de fábrica y marcas registradas

- Pioneer DJ es una marca comercial de PIONEER CORPORATION y está bajo licencia. rekordbox y KUVU son marcas comerciales o marcas registradas de Pioneer DJ Corporation.
- Windows es una marca registrada de Microsoft Corporation en los Estados Unidos y en otros países.
- Adobe y Reader son marcas registradas o marcas de fábrica de Adobe Systems Incorporated en los Estados Unidos y/o en otros países.
- ASIO es una marca de fábrica de Steinberg Media Technologies GmbH.
- El logotipo de SD es una marca comercial de SD-3C, LLC.



- El logotipo de SDHC es una marca comercial de SD-3C, LLC.



- **DVD** es una marca registrada de DVD Format/Logo Licensing Corporation.
- "Made for iPod", "Made for iPhone" y "Made for iPad" significan que un accesorio electrónico ha sido diseñado para ser conectado específicamente a un iPod, iPhone o iPad, respectivamente, y ha sido homologado por quien lo desarrolló para cumplir con las normas de funcionamiento de Apple. Apple no es responsable del funcionamiento de este aparato ni de que cumpla con las normas de seguridad y reguladoras. Tenga presente que el empleo de este accesorio con un iPod, iPhone o iPad puede afectar la operación inalámbrica.

Made for



- Apple, iPad, iPhone, iPod, iPod touch, iTunes, Mac, Mac OS y OS X son marcas comerciales de Apple Inc., registradas en los EE. UU. y en otros países.
- iOS es una marca de fábrica de la que Cisco tiene el derecho de marca en los EE.UU. y en otros países.
- Android™ es una marca de fábrica de Google Inc.
- Wi-Fi es una marca registrada de Wi-Fi Alliance.
- Los nombres de compañías y productos mencionados aquí son marcas comerciales o marcas comerciales registradas de sus respectivos propietarios.

- This software is based in part on the work of the Independent JPEG Group.  
El software de esta unidad usa en parte software del Grupo JPEG Independiente.

### Acerca del uso de archivos MP3

Este producto cuenta con licencia para ser usado sin fines de lucro. Este producto no tiene licencia para ser usado con fines comerciales (con fines de lucro) como, por ejemplo, en emisiones (terrestres, por satélite, por cable u otros tipos de emisiones), streaming en Internet, Intranet (un red corporativa) u otros tipos de redes, ni para distribuir información electrónica (servicio de distribución de música digital en línea). Para tales usos necesita adquirir las licencias correspondientes. Para conocer detalles, visite <http://www.mp3licensing.com>.

## Apple Lossless Audio Codec

Copyright © 2011 Apple Inc. All rights reserved.  
Licensed under the Apache License, Version 2.0. You may obtain a copy of the License at <http://www.apache.org/licenses/LICENSE-2.0>

Se proporcionan traducciones de la licencia de software en el sitio siguiente. Esas traducciones no son documentos oficiales. Consulte el original en inglés.  
Copyright © 2011 Apple Inc. All rights reserved.  
Licencia bajo los términos de la Apache License, Versión 2.0. Puede obtener una copia de la Licencia en <http://www.apache.org/licenses/LICENSE-2.0>

## FLAC

FLAC Decoder

Copyright © 2000-2009 Josh Coalson

Copyright © 2011-2014 Xiph.Org Foundation

Redistribution and use in source and binary forms, with or without modification, are permitted provided that the following conditions are met:

- Redistributions of source code must retain the above copyright notice, this list of conditions and the following disclaimer.
- Redistributions in binary form must reproduce the above copyright notice, this list of conditions and the following disclaimer in the documentation and/or other materials provided with the distribution.
- Neither the name of the Xiph.org Foundation nor the names of its contributors may be used to endorse or promote products derived from this software without specific prior written permission.

THIS SOFTWARE IS PROVIDED BY THE COPYRIGHT HOLDERS AND CONTRIBUTORS "AS IS" AND ANY EXPRESS OR IMPLIED WARRANTIES, INCLUDING, BUT NOT LIMITED TO, THE IMPLIED WARRANTIES OF MERCHANTABILITY AND FITNESS FOR A PARTICULAR PURPOSE ARE DISCLAIMED. IN NO EVENT SHALL THE FOUNDATION OR CONTRIBUTORS BE LIABLE FOR ANY DIRECT, INDIRECT, INCIDENTAL, SPECIAL, EXEMPLARY, OR CONSEQUENTIAL DAMAGES (INCLUDING, BUT NOT LIMITED TO, PROCUREMENT OF SUBSTITUTE GOODS OR SERVICES; LOSS OF USE, DATA, OR PROFITS; OR BUSINESS INTERRUPTION) HOWEVER CAUSED AND ON ANY THEORY OF LIABILITY, WHETHER IN CONTRACT, STRICT LIABILITY, OR TORT (INCLUDING NEGLIGENCE OR OTHERWISE) ARISING IN ANY WAY OUT OF THE USE OF THIS SOFTWARE, EVEN IF ADVISED OF THE POSSIBILITY OF SUCH DAMAGE.

## Cuidados para los derechos de autor

rekordbox restringe la reproducción y duplicación del contenido de música protegido por derechos de autor.

- Cuando hay datos codificados, etc. para proteger los derechos de autor embebidos en el contenido de música, puede no ser posible utilizar el programa normalmente.
- Cuando el rekordbox detecta datos codificados, etc. para proteger los derechos de autor embebidos en el contenido de música, el proceso (reproducción, lectura, etc.) puede parar.

Las grabaciones que usted ha hecho son para su uso personal y, según las leyes de los derechos de autor, no se pueden usar sin el consentimiento del propietario de tales derechos.

- La música grabada de CD, etc., está protegida por las leyes de los derechos de autor de países individuales, y también por tratados internacionales. La persona que ha grabado la música es la responsable de asegurar que ésta se use legalmente.
- Cuando maneje música descargada de Internet, etc., la persona que la haya descargado será la responsable de asegurar que ésta se use según el contrato concluido con el sitio de la descarga.

## Especificaciones

Requisitos de potencia ..... CA 110 V a 240 V, 50 Hz/60 Hz  
Consumo de energía ..... 41 W  
Consumo de energía (modo de espera) ..... 0,4 W  
Peso de la unidad principal ..... 5,7 kg  
Dimensiones máximas ..... 320 mm (An) × 113,2 mm (Al) × 414,4 mm (Pr)  
Temperatura de funcionamiento tolerable ..... +5 °C a +35 °C  
Humedad de funcionamiento tolerable ..... 5 % a 85 % (sin condensación)

### Salida de audio analógico (AUDIO OUT L/R)

Terminal de salida ..... Terminal RCA  
Nivel de salida ..... 2,0 Vrms (1 kHz)  
Respuesta de frecuencia ..... 4 Hz a 40 kHz  
Relación señal/ruido ..... 115 dB  
Distorsión armónica total ..... 0,0018 %

### Salida de audio digital (DIGITAL OUT)

Terminal de salida ..... Terminal RCA  
Tipo de salida ..... Digital coaxial (S/PDIF)  
Nivel de salida ..... 0,5 Vp-p (75 Ω)  
Formato de salida ..... 44,1 kHz/96 kHz, 24 bits/16 bits

### Sección descendente de USB (USB)

Puerto ..... Tipo A  
Alimentación ..... 5 V/2,1 A o menos

### Sección ascendente de USB (USB)

Puerto ..... Tipo B

### LAN (PRO DJ LINK)

Clasificación ..... 100Base-TX

### Sección de tarjeta de memoria SD

Sistema de archivos ..... Cumple con "SD Specifications Part 2 File System Specification Version 2.00"  
Capacidad máxima de memoria ..... 32 GB

### Pantalla principal

Tipo de pantalla ..... Pantalla de cristal líquido TFT de matriz activa (LCD)  
Idiomas disponibles ..... 18 idiomas

### Consumo de energía para México

Modo normal<sup>[1]</sup> ..... 41 Wh/día  
Modo de espera<sup>[2]</sup> ..... 9,2 Wh/día

[1] Considerando 1 hora de uso al día

[2] Considerando 23 horas en el modo de espera

— Las especificaciones y diseño de este producto están sujetos a cambios sin previo aviso.

- © 2015 Pioneer DJ Corporation. Todos los derechos reservados.

Español

## 注意

為避免觸電危險，請勿拆卸上下蓋（或背面板），以避免觸電或受傷，機內無任何可供維修使用的零件，若需維修服務請聯絡專業維修人員。

D3-4-2-1-1\_B1\_Zhtw

## 警告

本機不防水。為防止起火或觸電事故，請勿將本機置放於任何盛裝液體的容器（如花瓶或花盆）附近或將其暴露於漏水、濺水、雨中或潮濕環境中。

D3-4-2-1-3\_A1\_Zhtw

## 警告

本產品配有一三線制接地插頭 - 該插頭具有第三（接地）插腳。該插頭僅能與接地式電源插座配合使用。若您無法將插頭插入插座，請聯絡電工更換適合的插座。請勿違反接地插座的安全目的。

D3-4-2-1-6\_A1\_Zhtw

## 通風注意事項

安裝本機時，請確定在本機四周預留足夠的空間以利通風（背面5 cm、及兩側5 cm以上）。

## 警告

機殼上具有之縫隙及開口用於通風，以確保本產品之正常操作並防止過熱。為避免火災，請勿堵塞開口或用物品（如報紙、桌布、簾幕）將其覆蓋，也請勿在厚毯或床上操作本機。

D3-4-2-1-7b\*\_A1\_Zhtw

## 操作環境

操作環境溫度與溼度：

+5 °C 至 +35 °C (+41 °F 至 +95 °F)；小於85 %RH（勿堵塞冷卻孔）

請勿在通風不良處、暴露於高溼度或陽光直射（或強烈的人造光源）的場所安裝本機。

D3-4-2-1-7c\*\_A1\_Zhtw

## 注意

本機  $\odot$  開關不完全將電源自交流電插座切斷。因電源線為本機主要電源切斷裝置，您需要將插頭拔除以切斷所有電力。因此，請確認本機安裝時電源線可輕易自交流電插座拔除以防止意外。為防止火災，當本機處於長時間未使用之情形（如假期中）時，請將主電源插頭自牆上插座拔除以切斷電源。

D3-4-2-2-2a\*\_A1\_Zhtw

## 警告

請將小零件存放在小孩與嬰兒無法拿取之處。若意外吞入，請立即送醫。

D41-6-4\_A1\_Zhtw

## 注意

本產品為第一級雷射產品，依雷射產品的安全性規範 IEC 60825-1:2007。

第一級雷射產品

D58-5-2-2a\_A1\_Zhtw

## 電源線注意事項

請手持插頭部分挪動電源線。拔下插頭時勿拉拽電源線，且勿用濕手去碰電源線，因為這樣可能會導致短路或電擊。勿將本裝置、家具或其他物件壓在電源線上，或以其他方式擠壓電源線。切勿將電源線打結或和其他的線綁縛。電源線的佈線應防止被人踩在上面。電源線受損可能會導致火災，或造成人員觸電。經常檢查電源線。如果您發現電源線受損，請就近至維修中心或銷售商進行更換。

S002\*\_A1\_Zhtw

## 凝結

冬季，水滴（凝結）可能出現在本機內部（操作部件或鏡頭）。比如，將本機從寒冷的地方移到溫暖的室內，或在放置本機的屋內迅速升溫（通過取暖器等）。如果內部凝結水滴，本機將不能正常操作或不可操作。不要打開電源，將本機置於室溫1-2小時（雖然根據凝結的狀況會有所不同）。水滴蒸發後，本機將能操作。凝結也可能在夏天出現，比如將本機直接放置在空調的風口下。如果出現凝結，將本機換個地方放置。

S005b\_A1\_Zhtw

使用本產品時，請確認裝置底部是否有顯示安全資訊。

D3-4-2-2-4\_B1\_Zhtw

## 警告

為防止火災，請勿將明火源（如點燃的蠟燭）放置於本機上。

D3-4-2-1-7a\_A1\_Zhtw

## AC電源線

所能使用的電源線需視各地區或國家中的電壓而定。若是使用不當，則可能會導致起火或引發其他危險，故請確實使用正確的電源線（請參閱以下說明）。

### AC電源線及轉換插頭的使用

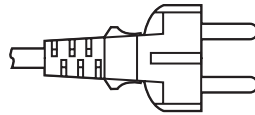
#### 地區

#### 插頭類型

歐規地區

注意

此種電源線切勿在台灣使用。



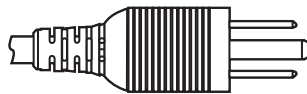
歐規雙腳插頭

台灣專用

注意

僅限於台灣使用。

在其他地區，請勿使用。



台灣專用三針扁平插頭



# 使用前

## 閱讀本手冊的方式

感謝您購買先鋒 DJ 產品。  
務請詳閱本簡冊及操作手冊！兩者均含使用主機前所必須了解的重要資訊。  
閱畢手冊後，請妥善收藏以便未來參考。

- 如需有關取得操作手冊的說明，請參閱取得本機的操作手冊（第 3 頁）。

## 功能與特色

本機為供專業 DJ 使用之多重播放機，提供迪斯可舞廳及夜總會所需的各種功能、耐用性及操作性。不僅能使用 USB 裝置和電腦上的曲目，也能播放行動裝置上（智慧手機等）的曲目，完成技藝精湛的 DJ 表演。本機不僅配備可供 DJ 進行表演的各式各樣功能，包括 PRO DJ LINK、WAVE 及 BEAT SYNC 功能，更具備高音質、高可靠性設計以及操作性高的面板配置，因此可針對各種形式的 DJ 表演提供強而有力的支援。

## 取得本機的操作手冊

多項說明有時會以 PDF 格式的檔案隨附。必須安裝 Adobe® Reader® 才能檢視 PDF 格式檔案。

- 1 啟動電腦上的網路瀏覽器，然後存取以下的 Pioneer DJ 支援網站。  
<http://pioneerdj.com/support/>
- 2 在 Pioneer DJ 支援網站上，按一下 [CDJ-2000NXS2] 下的 [Manuals]。
- 3 按一下下載頁面上的所需語言。  
開始下載操作手冊。

## 包裝內容物

- 電源線（第 2 頁）
- 音頻導線
- LAN 導線
- 光碟強制退出針（安裝在產品底部）
- 操作手冊（快速入門指南）（本手冊）

## 準備軟體

音樂管理軟體 rekordbox 及驅動程式軟體皆未隨附。

若要使用 rekordbox 及驅動程式軟體，請存取 rekordbox 網站及 Pioneer DJ 支援網站，然後下載軟體。

rekordbox 的 Mac/Windows 版本在這些操作手冊中的稱呼為「rekordbox (Mac/Windows)」。「rekordbox」用於同時表示 rekordbox (Mac/Windows) 及 rekordbox (iOS/Android) 的版本，以及當直接稱呼 rekordbox 功能時。

- 使用者需負責準備連接網際網路所需的電腦、網路設備、及其他網際網路使用環境要素。

## 關於 rekordbox

rekordbox 是能夠進行曲目管理和 DJ 表演的複合軟體。

使用本機搭配 rekordbox 管理的音樂檔案，即可實現優異的 DJ 表演。

### ❖ 取得 rekordbox (Mac/Windows)

- 1 開啟電腦上的網路瀏覽器，然後存取 rekordbox 網站。  
<http://rekordbox.com/>

- 2 按一下 rekordbox 網站中的 [Download]，然後下載下載頁面上的 rekordbox。

- 如需查詢有關 rekordbox (Mac/Windows) 的問題，請參閱以上指定的線上支援網站。

### ❖ 關於 rekordbox (iOS/Android)

只要行動裝置經由 USB 安裝了 rekordbox (iOS/Android)，就可連接該裝置來播放 rekordbox 所管理的曲目。有關支援的裝置資訊，請參閱先鋒 DJ 網站 (<http://pioneerdj.com/support/>)。

- 有關安裝 rekordbox (iOS/Android) 的詳細資料，請參閱先鋒網站 (<http://rekordbox.com/>)。

## 關於驅動軟體

### ❖ 音訊驅動程式軟體 (Windows)

- 驅動軟體是一款專用的 ASIO 驅動程式，用來從電腦中輸出音頻信號。
- 使用 Mac OS X 時，不需要安裝驅動程式軟體。

## ❖ rekordbox (Mac/Windows) 的 USB 連線 (LINK Export) 驅動程式軟體

- 本驅動程式是以 USB (LINK Export) 來連線此裝置與 rekordbox (Mac/Windows) 的專用軟體。
  - 有關 USB (LINK Export) 連線的詳細資訊，請參閱本產品的操作手冊。

## ❖ 取得驅動程式軟體

- 1 啟動電腦上的網路瀏覽器，然後存取以下的 Pioneer DJ 支援網站。  
<http://pioneerdj.com/support/>
- 2 按一下 Pioneer DJ 支援網站上 [CDJ-2000NXS2] 下的 [Software Download]。
- 3 按一下驅動程式軟體的圖示，以從下載頁面中下載驅動程式軟體。
  - 如需安裝驅動程式軟體的資訊，請參閱 Pioneer DJ 支援網站。

## 可用媒體

有關詳細資料，請參閱本產品的操作手冊。

### 關於光碟

本機可播放在 CD-ROM (CD-R 和 CD-RW) 或 DVD-ROM (DVD-R、DVD-RW、DVD-R DL、DVD+R、DVD+RW 及 DVD+R DL) 上錄製的音樂 CD (CD-DA) 及音樂檔案。

- 但無法播放 8 cm 光碟。

### 關於 SD 記憶卡

可播放符合 SD 標準的 SD 記憶卡音樂檔案。

- |                         |                                     |
|-------------------------|-------------------------------------|
| 支持的記<br>憶卡 <sup>1</sup> | • SD 記憶卡 : 8 MB 至 2 GB              |
|                         | • SDHC 記憶卡 : 4 GB 至 32 GB           |
| 相容格式                    | • SD 記憶卡 : FAT12 和 FAT16 (符合 SD 標準) |
|                         | • SDHC 記憶卡 : FAT32 (符合 SD 標準)       |

<sup>1</sup> CPRM 不支持。

### 關於 USB 設備

本裝置可播放 USB 大量儲存類的 USB 裝置上所錄製的音樂檔案 (外接式硬碟、可攜式快閃記憶裝置等)。

支持的檔  
案系統

FAT16、FAT32 及 HFS+ (不支援 NTFS。)
--------------------------------

只要行動裝置經由 USB 安裝了 rekordbox (iOS/Android)，就可連接該裝置來播放 rekordbox 所管理的曲目。有關支援的裝置資訊，請參閱先鋒 DJ 網站 (<http://pioneerdj.com/support/>)。如需了解 rekordbox (iOS/Android) 的詳細資訊，請參閱 rekordbox 線上支援網站 (<http://rekordbox.com/>)。

- 這些資訊如光碟辨識資料、指令點、循環點和熱指令點，皆可儲存在儲存裝置上 (SD、USB)。
- 視您使用的儲存裝置 (SD、USB) 而定，效能可能無法達到預期結果。
- 不保證在本機上所有儲存裝置 (SD、USB) 的操作。

## 連接

- 確定在每次接線或變更接線之前，關閉電源並從電源插座上拔下電源線。
- 有關已連接元件，請參閱操作手冊。
- 完成裝置之間的所有接線後，請連接電源線。

- 使用 LAN 連接線進行連接時，請確定使用本產品隨附的 LAN 連接線或 STP（遮蔽式雙絞線）連接線。
- 當音樂檔案和 / 或資訊通過 PRO DJ LINK 共享時不要斷開 LAN 導線。

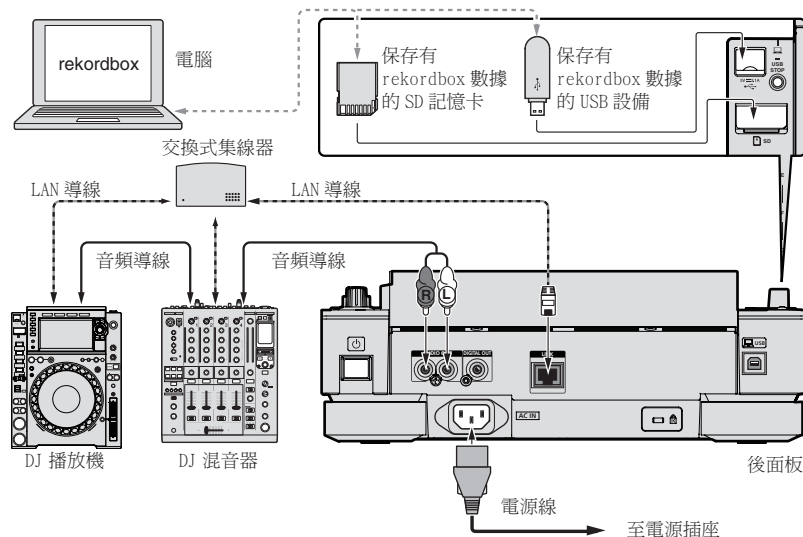
## 基本方式

主要使用電腦上安裝的 rekordbox 來準備音軌以執行本機播放。

- 如需了解操作 rekordbox 的詳細說明，請參閱 rekordbox (Mac/Windows) 的使用手冊。如需檢視 rekordbox (Mac/Windows) 使用手冊，請進入 rekordbox 的 [說明] 選單。
- 此外，對於 DJ 播放機及 DJ 混音機，最多可有四部相容 PRO DJ LINK 的播放機使用 PRO DJ LINK 連線連接 LAN 連接線 (CAT5e)。
- 視使用機型的組合而定，可能需要使用交換集線器 (一般市售)。請使用 100 Mbps 或以上的交換集線器。部分交換集線器將無法正常操作。
- 交換集線器 (一般市售) 必須連接至配備唯一 LAN 連接埠的混音器。如為有足夠系統所有 DJ 播放機及電腦使用的 LAN 連接埠的混音器，請直接連接混音器背面板的 LAN 連接埠，無需使用集線器。

## PRO DJ LINK (SD 及 USB 匯出)

- rekordbox 音樂檔案及資料皆可使用儲存裝置 (隨身碟、硬碟等) 交換，而不需要將電腦搬到 DJ booth。此類預先設定的 rekordbox 資訊如播放清單、指令點、循環和熱指令點皆可用於播放。



### 注意

為了將 rekordbox 的音樂檔案管理功能效益發揮至最大，請將比對播放機編號與在混音器中輸入的音訊纜線頻道。

若播放機編號不同，請變更 [UTILITY] 畫面上的 [PLAYER No.] 設定。

➡ 有關變更 [UTILITY] 畫面設定的說明，請參閱本產品的操作手冊。

- 儲存裝置連接本機時，[PLAYER No.] 會顯示為灰色且無法變更。中斷連接儲存裝置或 LAN 連接線以關閉連結，然後再變更設定。

# 操作

## 開啟電源

- 1 完成所有連接，然後將電源線插入電源插座。  
➔ 連接（第 5 頁）
- 2 按下 [⏻] 開關。  
本機的指示燈會亮起且電源開啟。

## 關閉電源

按下 [⏻] 開關。

本機的電源關閉。

- 請勿在 SD 記憶卡指示燈閃爍時拔出 SD 記憶卡或關閉本機的電源。這麼做可能會刪除本機的管理資料並破壞 SD 記憶卡，造成無法讀取。
- USB 指示燈閃爍時，請勿移除 USB 裝置或關閉本機電源。否則，本機的管理資料可能會遭到刪除。此外，USB 裝置也有可能無法讀取。

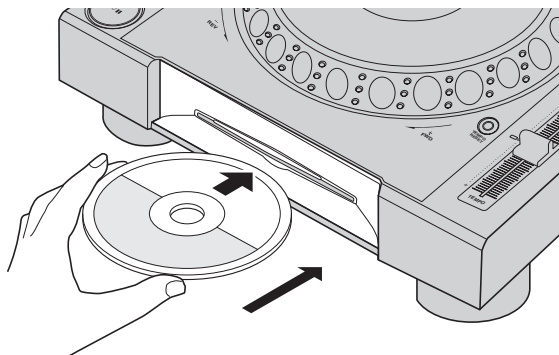
## 插入光碟

- 本機為單一光碟播放機。請勿插入複數光碟。
- 當本機電源關閉時請勿強制光碟進入光碟插槽。這麼做可能會破壞光碟並導致本機故障。
- 當光碟吸入或退出時，請勿對光碟反向施力。這麼做會造成光碟或本機受損。

- 1 按下 [⏻] 開關可開啟本機的電源。
- 2 將光碟水平插入光碟插槽，且光碟的印刷面朝上。

在讀取媒體資訊後即開始播放。

- 載入以階層式結構燒錄音樂檔案的光碟時，將從最上層的音軌開始播放。



- 開啟自動指令功能時，光碟會暫停在音訊開始的位置。在此情況下，請按下 [PLAY/PAUSE▶/II] 開始播放。  
➔ 有關自動指令功能的詳細資訊，請參閱本產品的操作手冊。
- 先前已連接本機或其他先鋒 DJ 播放機的儲存裝置（SD、USB）在插入光碟時，會在主機顯示幕上顯示包括光碟資訊在內的光碟數量數秒鐘。  
➔ 有關光碟資訊記憶體的詳細資料，請參閱本產品的操作手冊。

## 插入 SD 記憶卡

- 不要在 SD 記憶卡插入口插入任何 SD 記憶卡以外的物品。插入硬幣或其他金屬物品可能損壞內部電路，造成故障。
- 請勿強制插入或取出 SD 記憶卡。這麼做會造成 SD 記憶卡或本機受損。

- 1 按下 [⏻] 開關可開啟本機的電源。
- 2 打開 SD 記憶卡艙門。
- 3 插入 SD 記憶卡。  
豎直插入 SD 記憶卡，使其背面超前，缺口向下。將卡緩慢推入直到其停止。
- 4 關閉 SD 記憶卡艙門。

## 連接 USB 裝置

- 1 按下 [⏻] 開關可開啟本機的電源。
- 2 將 USB 裝置連接至 USB 裝置插槽。

## 播放連接本機或插入本機的媒體

- 1 在本機中裝入介質。
- 2 按下對應的媒體按鍵([DISC]、[SD]或[USB])。音軌或資料夾會顯示在清單上。顯示在主機顯示幕上的媒體內容可以切換。
  - [DISC] 按鍵：顯示插入光碟上的內容。
  - [SD] 按鍵：顯示插入 SD 記憶卡上的內容。
  - [USB] 按鍵：顯示連接 USB 或行動裝置的內容。
  - 若儲存裝置 (SD、USB) 含有 rekordbox 資料庫資訊，將顯示 rekordbox 資料庫。
    - 有關瀏覽 rekordbox 資料庫的說明，請參閱本產品的操作手冊。
- 3 轉動旋轉選擇器。  
移動游標並選擇該項目。



- 按下旋轉選擇器以移至資料夾中的下一層。按下 [BACK] 按鍵即可返回上一層。
  - 按下 [BACK] 按鍵超過 1 秒或按下正在瀏覽媒體的媒體按鍵時，顯示幕會移至最上層。
- 4 選擇音軌，然後按下旋轉選擇器。  
載入音軌時，畫面會切換為正常播放畫面。  
載入音軌後，隨即開始播放，且對應的媒體按鍵會閃爍。
    - 有關正常播放畫面的詳細資訊，請參閱本產品的操作手冊。

有關其他操作的詳細資料，請參閱本產品的操作手冊。

## 其他資訊

### 故障排除

- 不正確的操作往往是促成錯誤或故障的原因。若認為此裝置有問題，請至先鋒 DJ 支援網站上檢查以下重點，以及確認 [CDJ-2000NXS2] 的 [FAQ]。  
<http://pioneerdj.com/support/>  
有時問題可能是其他裝置所產生。請檢查其他裝置和使用的電源設備。若無法修正問題，請就近洽詢先鋒授權維修中心，或要求經銷商進行維修。
- 本機可能會因靜電或其他外在影響導致無法操作。此時，關閉電源，等待 1 分鐘後再開啟，即可還原正常操作。

問題	檢查	解決方法
碟片不能彈出。	[EJECT/LOAD LOCK] 是否設為 [LOCK]？	按下 [PLAY/PAUSE▶/II] 按鍵可設定暫停模式，然後再按下 [DISC EJECT▲] 按鍵。 將 [UTILITY] 的 [EJECT/LOAD LOCK] 設為 [UNLOCK]，然後再按 [DISC EJECT▲] 按鍵。
—	—	若 [DISC EJECT▲] 按鍵沒有作用，請用針插入光碟強制退出孔退出光碟。
當碟片裝載時，播放不能開始。	碟片或檔案可以播放嗎？ 自動指令點功能啟動了嗎？	請參閱第 4 頁上 <i>可用媒體</i> 。 按下 [AUTO CUE] 1 秒鐘以上，以取消自動指令點功能。
無法播放檔案。	檔案是否受到 DRM 防拷保護？	無法播放防拷的檔案。
沒有聲音，或者聲音失真或有噪音。	相連的 DJ 混音器操作妥當嗎？ 本機是否放置在電視附近？	檢查 DJ 混音器的操作。 關閉電視電源或遠離電視安裝本機。
當播放某些碟片時有大音量噪音或播放停止。	碟片是否有刮傷？ 碟片是否髒污？	刮傷的碟片可能無法再播放。 擦除光碟上的污垢。
檔案資訊不能妥當顯示。	[LANGUAGE] 是否設置妥當？ 本機是否不支援錄製資訊的語言？	設置 [LANGUAGE] 到妥當的語言。 使用 DJ 軟體建立檔案時，請錄製本機支援語言的資訊。
曲目搜索花費時間過長。	自動指令點功能啟動了嗎？ —	曲目之間如果有過長的沉寂部分，搜索就會花費一些時間。 如果搜索在 10 秒鐘之內不能完成，則在曲目的開頭也許設置有指令點。
反向指令點功能無效。	設置了指令點嗎？	設定指令點。
循環播放功能無效。	設置了指令點嗎？	設定指令點。
設置沒有保存在記憶中。	設置改變後是否直接關閉了電源？	設置改變後，關閉電源要等待至少 10 秒鐘。

問題	檢查	解決方法
USB 設備不被識別。	USB 設備的連接是否妥當？	牢牢地連接裝置，並一直到底。
	是否用 USB 集線器連接 USB 裝置？	USB 集線器不能使用。
	是否為本機支援的 USB 裝置？	本播放機支援 USB 大量儲存類的裝置。 本播放器支援裝有 rekordbox (iOS/Android) 軟體的行動裝置。
	是否為本機支援的檔案格式？	檢查連接 USB 裝置的檔案格式。有關本機支援的檔案格式，請參閱第 4 頁上關於 USB 設備。
—	—	關閉電源，然後再重新開啟。
指令點或循環點未儲存在儲存裝置 (SD、USB) 上。	是否嘗試儲存超過限制的時間點？	每光碟可在儲存裝置 (SD、USB) 上儲存的最多指令點或循環點數量為 100。如為非光碟的裝置，上限為每曲目 10 個時間點。 若您嘗試儲存比限制更多的時間點，則會顯示 [CUE/LOOPPOINT FULL] 且無法儲存時間點。在此情況下，請在儲存新的時間點前刪除一些時間點。
	儲存裝置 (SD、USB) 是否有寫入保護？	SD 記憶卡有寫入保護時，會顯示 [CARD PROTECTED] 且無法儲存時間點。 USB 裝置有寫入保護時，會顯示 [USB FULL] 且無法儲存時間點。停用寫入保護然後再儲存時間點。
	儲存裝置 (SD、USB) 上是否有足夠的可用空間？	若 SD 記憶卡上沒有足夠的可用空間，會顯示 [CARD FULL] 且無法儲存時間點。若 USB 裝置上沒有足夠的可用空間，會顯示 [USB FULL] 且無法儲存時間點。釋放部分空間，然後再儲存時間點。
儲存在儲存裝置 (SD、USB) 上的曲目指令點或循環點皆未顯示。	上次中斷 USB 裝置連接前是否正確停止？	若移除 SD 記憶卡 / USB 裝置且未執行正確的停止程序，或若本機的電源關閉，時間點可能不會顯示。 請在中斷儲存裝置 (SD、USB) 或關閉本機電源前檢查 SD 記憶卡或 USB 指示燈是否完全熄滅。
按下按鍵以叫出熱指令點儲存模式或重新循環，或移動拉桿以設定倒轉播放時，操作不會立即開始。	量化功能是否開啟？	量化功能開啟後，會從離按下按鍵或移動拉桿最近的節奏位置開始操作。若要在按下按鍵或移動拉桿後立即開始操作，請關閉量化功能。
剩餘時間模式下播放地址顯示不出現。	—	當播放以 VBR 記錄的檔案時，本機也許不能立即檢測到曲目的長度，所以播放地址出現需要一定時間。

問題	檢查	解決方法
讀取儲存裝置 (SD、USB) 需要更多時間 (隨身碟或硬碟)。	儲存在儲存裝置 (SD、USB) 中的資料夾或檔案數量是否過多？	當資料夾或檔案數目過多時，碟片加載可能需要一些時間。
	在儲存裝置 (SD、USB) 上是否儲存非音樂檔案的檔案？	若在資料夾中儲存了非音樂檔案，在讀取時需要額外的時間。不要在 USB 設備中儲存音樂檔案以外的檔案或資料夾。
不能進行資料庫瀏覽。	所裝載的介質記錄有資料庫資訊嗎？	只有當記錄有資料庫資訊的介質被裝載時才能進行資料庫瀏覽。所裝載的介質沒有記錄資料庫資訊時，使用檔案夾瀏覽模式。
[HISTORY] 不顯示。	是否已連接儲存裝置 (SD、USB)？	只有在連接儲存裝置 (SD、USB) 的 DJ 播放機上才能使用 [HISTORY] 功能。
不顯示任何資訊。	是否已啟動自動待機功能？	開啟本機配備的自動待機功能。若您不想要使用自動待機功能，請將 [AUTO STANDBY] 設為 [OFF]。
未顯示音階。	曲目長度是否超過 15 分鐘？	播放時間超過 15 分鐘的曲目未顯示音階。
PRO DJ LINK 異常。	播放機號碼設置妥當嗎？	設置 [PLAYER No.] 到 [AUTO] 或設置一個與當前設置不同的號碼。
	LAN 導線的連接是否妥當？	LAN 導線要妥當連接到 [LINK] 端子。
	交換式集線器的電源開啟了嗎？	開啟交換式集線器的電源。
	交換式集線器上是否連接有不必要的設備？	從交換式集線器上去掉不必要的設備。
觸碰畫面沒有反應或反應不良時。與實際觸碰位置的反應位置不同。	觸碰顯示幕的校正調整偏離。	使用 [UTILITY] 畫面中的 [TOUCH DISPLAY CALIBRATION] 設定以調整觸碰處顯示幕。

## 錯誤訊息

當本機無法正常操作時，顯示器上會顯示錯誤代碼。請核對下表並採取指定應對措施。若顯示的錯誤代碼不在下表內，或採取了指定的操作後又再次出現相同的錯誤代碼時，請聯絡購買本產品的商店。

錯誤編碼	錯誤類型	錯誤描述	原因和對策
E-7201	<b>CANNOT READ DISC</b>	不能讀取 TOC 數據。	<ul style="list-style-type: none"> <li>碟片破損。→ 更換碟片。</li> <li>碟片臟污。→ 清潔碟片。</li> </ul>
E-8301	<b>CANNOT READ DISC</b>	不能播放的碟片被裝載。	<ul style="list-style-type: none"> <li>如果其他碟片操作正常，則問題在碟片上。</li> </ul>
E-8302	<b>CANNOT PLAY TRACK(****)</b>	光碟或儲存裝置 (SD、USB) 上的曲目資料 (檔案) 無法正確讀取。	<ul style="list-style-type: none"> <li>曲目資料 (檔案) 可能損毀。→ 請檢查是否可在其他可播放與本機相同格式的播放機上播放曲目 (檔案)。</li> </ul>
E-8304	<b>UNSUPPORTED FILE FORMAT</b>	不能播放的音樂檔案被裝載。	格式錯誤。→ 更換為妥當格式的檔案。
E-9101	<b>MECHANICAL TIMEOUT</b>	在裝載或彈出碟片時出現機械錯誤 (超時)。	當機構操作不能在規定時間內完成時顯示。



## 清除觸碰顯示幕

請勿使用有機溶劑、酸性或鹼性液體清潔觸控顯示器表面。擦拭時，請使用乾燥軟布或以中性清潔劑浸濕且擰乾的布。

## 關於商標及註冊商標

- Pioneer DJ 是 PIONEER CORPORATION 的商標，須經授權使用。rekordbox 及 KUVU 皆為日本先鋒 DJ 公司的商標或註冊商標。
- Windows 是 Microsoft Corporation 於美國及其他國家的註冊商標。
- Adobe 及 Reader 皆為 Adobe Systems Incorporated 在美國及／或其他國家的商標或註冊商標。
- ASIO 為 Steinberg Media Technologies GmbH 的商標。
- SD Logo 是 SD-3C, LLC 的商標。



- SDHC Logo 是 SD-3C, LLC 的商標。



- **DVD** 是 DVD Format/Logo Licensing Corporation 的商標。
- 「Made for iPod」(專為 iPod 製造)、「Made for iPhone」(專為 iPhone 製造)及「Made for iPad」(專為 iPad 製造)表示該電子配件是專為連接至 iPod、iPhone 或 iPad 而設計，而且已通過開發廠商的認證以符合 Apple 的效能標準。對於本裝置的操作或是否符合安全與規範標準，Apple 概不擔負任何責任。請注意，此配件與 iPod、iPhone 或 iPad 一起使用會影響無線電的性能。



- Apple、iPad、iPhone、iPod、iPod touch、Mac、Mac OS 及 OS X 皆為 Apple Inc. 在美國及其他國家註冊的商標。
- iOS 是 Cisco 在美國及某些國家持有商標權的商標。

- Android™ 是 Google 公司的商標。
- Wi-Fi 是在 Wi-Fi 聯盟的註冊商標。
- 此處提及之公司及產品名稱皆為個別擁有者所有之商標或註冊商標。

- This software is based in part on the work of the Independent JPEG Group.  
本主機內的軟體部分採用 Independent JPEG Group 之軟體。

### 關於使用 MP3 檔案

本產品已獲非營利使用之授權。本產品未獲商業用途之授權（供營利使用），如播送（無線電視、衛星、有線電視或其他類型的播送方式）、網際網路串流、內部網路（公司網路）或其他類型之網路，或散佈電子資訊（線上數位音樂傳輸服務）。您必須取得有關此類使用的授權。如需詳細資料，請瀏覽 <http://www.mp3licensing.com>。

中文

## Apple Lossless Audio Codec

Copyright © 2011 Apple Inc. All rights reserved.  
Licensed under the Apache License, Version 2.0.  
You may obtain a copy of the License at <http://www.apache.org/licenses/LICENSE-2.0>

軟體授權的翻譯位於下列網站。這些翻譯並非正式文件。

請參閱英文版的原文。

Copyright © 2011 Apple Inc. All rights reserved.

經 Apache License 授權，版本 2.0。授權的複本位於

<http://www.apache.org/licenses/LICENSE-2.0>

---

## FLAC

FLAC Decoder

Copyright © 2000-2009 Josh Coalson

Copyright © 2011-2014 Xiph.Org Foundation

Redistribution and use in source and binary forms, with or without modification, are permitted provided that the following conditions are met:

- Redistributions of source code must retain the above copyright notice, this list of conditions and the following disclaimer.
- Redistributions in binary form must reproduce the above copyright notice, this list of conditions and the following disclaimer in the documentation and/or other materials provided with the distribution.
- Neither the name of the Xiph.org Foundation nor the names of its contributors may be used to endorse or promote products derived from this software without specific prior written permission.

THIS SOFTWARE IS PROVIDED BY THE COPYRIGHT HOLDERS AND CONTRIBUTORS "AS IS" AND ANY EXPRESS OR IMPLIED WARRANTIES, INCLUDING, BUT NOT LIMITED TO, THE IMPLIED WARRANTIES OF MERCHANTABILITY AND FITNESS FOR A PARTICULAR PURPOSE ARE DISCLAIMED. IN NO EVENT SHALL THE FOUNDATION OR CONTRIBUTORS BE LIABLE FOR ANY DIRECT, INDIRECT, INCIDENTAL, SPECIAL, EXEMPLARY, OR CONSEQUENTIAL DAMAGES (INCLUDING, BUT NOT LIMITED TO, PROCUREMENT OF SUBSTITUTE GOODS OR SERVICES; LOSS OF USE, DATA, OR PROFITS; OR BUSINESS INTERRUPTION) HOWEVER CAUSED AND ON ANY THEORY OF LIABILITY, WHETHER IN CONTRACT, STRICT LIABILITY, OR TORT (INCLUDING NEGLIGENCE OR OTHERWISE) ARISING IN ANY WAY OUT OF THE USE OF THIS SOFTWARE, EVEN IF ADVISED OF THE POSSIBILITY OF SUCH DAMAGE.

---

## 版權注意事項

rekordbox 限制版權保護音樂內容的播放和複製。

- 如果為了保護版權的加密數據等鑲嵌在音樂內容之中時，該程式也許不能正常操作。
- 如果 rekordbox 在音樂內容之中檢測到為了保護版權的加密數據時，會停止操作（播放、讀取等）。

為了自己個人娛樂而複製的某些內容，根據版權法在沒有得到版權持有者同意時也許不能使用。

- 來自 CD 的複製音樂受到各個國家或國際條約的保護。錄製音樂的人自己要對所錄製內容是否合法負全部責任。
- 處理從互聯網上下載的音樂時，下載音樂的人自己要對下載內容是否按照下載站點的契約使用負全部責任。



© 2015 Pioneer DJ Corporation. All rights reserved.

**Pioneer DJ Corporation**

1-1, Shin-ogura, Saiwai-ku, Kawasaki-shi, Kanagawa 212-0031, Japan

**Pioneer DJ 株式会社**

〒212-0031 神奈川県川崎市幸区新小倉1番1号

**Pioneer DJ Americas, Inc.**

P.O. BOX 1720, Long Beach, California 90801-1720, U.S.A. TEL: (800) 421-1404

**PIONEER ELECTRONICS ASIACENTRE, PTE. LTD.**

253 Alexandra Road, #04-01, Singapore 159936 TEL: 65-6472-7555

**PIONEER ELECTRONICS AUSTRALIA PTY. LTD.**

5 Arco Lane, Heatherton, Victoria, 3202, Australia, TEL: (03) 9586-6300

**PIONEER ELECTRONICS (THAILAND) CO., LTD.**

17th Fl., KPN Tower, 719 Rama 9 Road, Bangkok, Huaykwang, Bangkok 10310 TEL: 66-2-717-0777

**PIONEER TECHNOLOGY (MALAYSIA) SDN. BHD**

16th Floor, Menara Uni. Asia 1008 Jalan Sultan Ismail 50250 Kuala Lumpur TEL: 60-3-2697-2920

先鋒股份有限公司

台灣台北市內湖區瑞光路 407 號 8 樓 TEL: 886-(0)2-2657-3588

先鋒電子(香港)有限公司

香港九龍長沙灣道 909 號 5 樓 TEL: 852-2848-6488

**PIONEER ELECTRONICS DE MEXICO S.A. DE C.V.**

Bldv. Manuel Avila Camacho 138 10 piso Col.Lomas de Chapultepec, Mexico, D.F. 11000 TEL: 52-55-9178-4270

**PIONEER INDIA ELECTRONICS PRIVATE LTD.**

216, Second Floor, Time Tower, M.G. Road, Sector 28, Gurgaon 122001, Haryana, India TEL: +91-124-463-6100

Printed in

<DRH1323-A>

